



CATALOG NUMBER:

JOB NAME:

CUSTOMER NAME:

NOTES:

TYPE:

DATE:



FEATURES AND SPECIFICATIONS

FLUORESCENT INDUSTRIAL LIGHTING

IFW SERIES

4' T5 | T8 WET LOCATION INDUSTRIAL

Construction:

- Durable Composite Housing
- Gasket Seals Lens from Moisture
- Sealed 1/2" Entry Points on Both Ends
- Tethered Ballast Tray

Optics:

- Injection Molded Lens

Electrical:

- T5 or T8 Offerings
- UL Listed for Wet Locations
- NSF Rated
- IP67 Rated

Mounting:

- Options Include:
- Surface, Chain or Cable Mounting
- Stainless Steel Mounting Clips

Specifications:

- Overall height: 4.13" (10.49 cm)
- Width: 6.77" (17.19 cm)
- Length: 51.65" (131.191 cm)
- Weight: 8 lbs / 3.62 kg



NEMA 4X



ACCESSORIES

- CH36** 36" Chain Mounting Set
- CH36HFC** 36" Chain Mounting Set with Hammer-On Flange Clip
- CA36** 36" Cable Mounting Set
- MS360WL** 360° Wet Location Motion Sensor

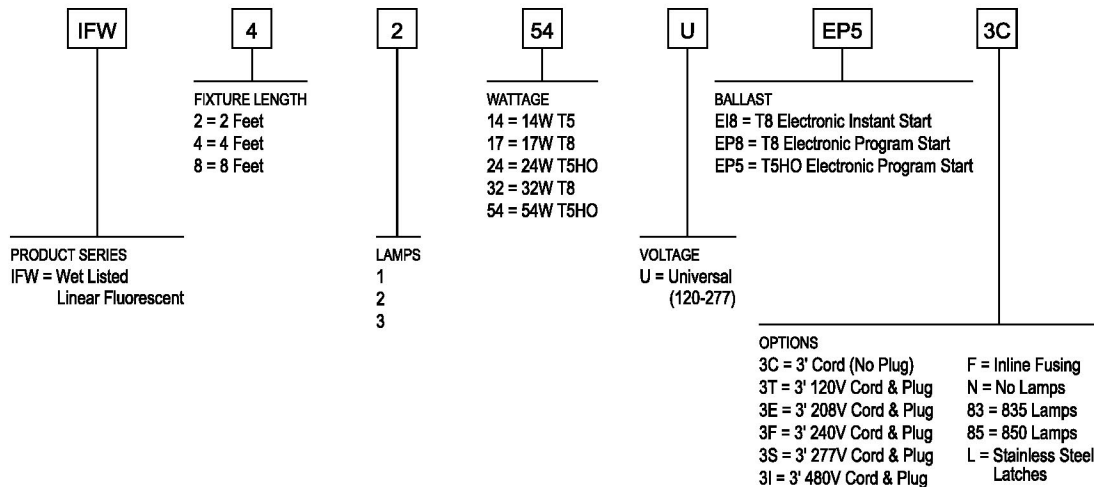
IP RATING

	DESCRIPTION	DEFINITION
6	Dust-tight	No ingress of dust
7	Protected against the effects of immersion	Ingress of water in a harmful quantity shall not be possible when the enclosure is immersed in water under defined conditions of pressure & time

ORDERING INFORMATION

Order accessories as separate catalog numbers (shipped separately).

example:



Actual performance can vary depending on operating conditions. Specifications are subject to change without notice.

ATLAS LIGHTING PRODUCTS, INC.

PO BOX 2348 | BURLINGTON, NC 27216

800-849-8485 | FAX: 336-227-0110 | www.atlaslightingproducts.com

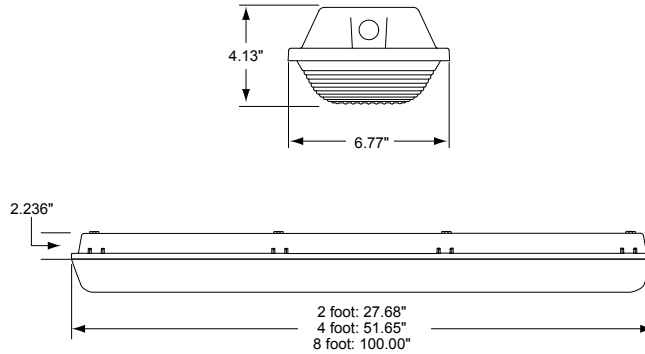
DIMENSIONS

Specifications:

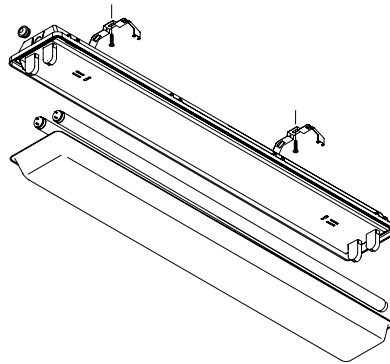
Overall height:
4.13" (10.49 cm)

Width:
6.77" (17.19 cm)

Length:
2' to 8'



MOUNTING DETAIL



IFW AMBIENT TEMPERATURES

4' SLIMLINE WET LOCATION		INCREASED AMBIENT	
PART #	DESCRIPTION	CEILING MOUNT	CHAIN MOUNT
T5			
IFW4154UEP5	4 ft., 1 Lamp, 54w T5HO	95°F/35°C	113°/45°C
IFW4254UEP5	4 ft., 2 Lamp, 54w T5HO	95°F/35°C	113°/45°C
T8			
IFW4132UEI8	4 ft., 1 Lamp, 32w T8	86°F/30°C	104°/40°C
IFW4232UEI8	4 ft., 2 Lamp, 32w T8	86°F/30°C	104°/40°C
IFW4332UEI8	4 ft., 3 Lamp, 32w T8	86°F/30°C	104°/40°C

Actual performance can vary depending on operating conditions. Specifications are subject to change without notice.