

IFW

2' | 4' | 8' T5 | T8
Wet Location

NEPTUNETM
FLUORESCENT WET LOCATION

SERIES

Fluorescent Industrial

Wet Location

Sealed 1/2" Entry Points

Stainless Steel Mounting Clips



Poured Gasket



Durable Composite Housing

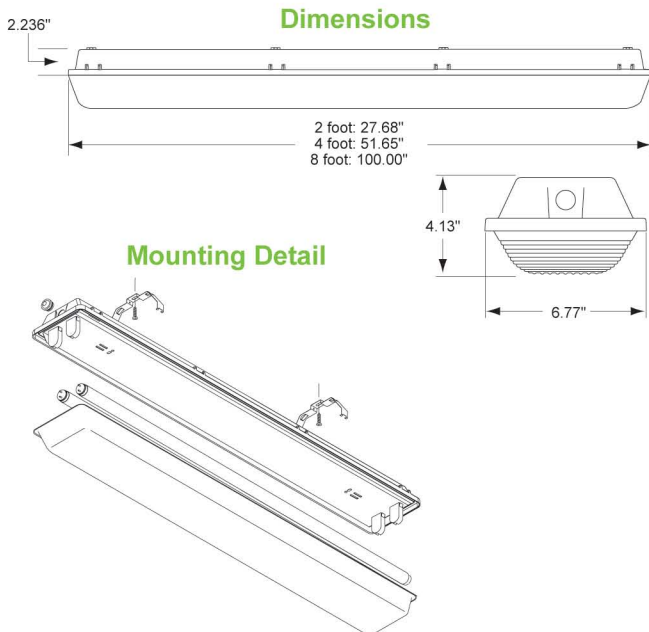


Tethered Ballast Tray

Options & Accessories

CATALOG #	DESCRIPTION	STD. PKG.	SUFFIX #	DESCRIPTION
Motion Sensors				
MS360WL	Wet Location 360° Motion Sensor	1	3C	3' Cord (No Plug)
	<i>See pages 30-31 for more accessories</i>		3T	3' 120V Cord & Plug
			3E	3' 208V Cord & Plug
			3F	3' 240V Cord & Plug
			3S	3' 277V Cord & Plug
			3I	3' 480V Cord & Plug
			F	Inline Fusing
			N	No Lamps
			83	835 Lamps - 3500K
			85	850 Lamps - 5000K
			L	Stainless Steel Latches





quick SHIP Products

CATALOG #	# OF LAMPS	FIXTURE LENGTH	LAMP WATTS	VOLTS	BALLAST TYPE	LAMP
2' Wet Location						
IFW2214UEP5	2	2'	14	UNV	T5PS	F14T5/841
IFW2217UEI8	2	2'	17	UNV	T8IS	F17T8/841
IFW2224UEP5	2	2'	24	UNV	T5HOPS	F24T5HO/841
4' Wet Location						
IFW4232UEI8	2	4'	32	UNV	T8IS	F32T8/841
IFW4254UEP5	2	4'	54	UNV	T5HOPS	F54T5HO/841
IFW4332UEI8	3	4'	32	UNV	T8IS	F32T8/841
8' Wet Location						
IFW8232UEI8	4	8'	32	UNV	T8IS	F32T8/841
IFW8254UEP5	4	8'	54	UNV	T5HOPS	F54T5HO/841
IFW8332UEI8	6	8'	32	UNV	T8IS	F32T8/841

UNV = 120-277V 480V Available Upon Request

IP Rating

PROTECTION AGAINST SOLID OBJECTS

1 ST DIGIT	DESCRIPTION	DEFINITION
6	Dust-tight	No ingress of dust

PROTECTION AGAINST LIQUIDS

2 ND DIGIT	DESCRIPTION	DEFINITION
7	Protected against the effects of immersion	Ingress of water in a harmful quantity shall not be possible when the enclosure is immersed in water under defined conditions of pressure & time

See page 33 for more IP rating information

Ordering Format

example:

