



INDEPENDENCE SERIES Flood Light

FS6L 6,000 Lumen LED Flood Light



SPECIFICATIONS:

	FS6L4K	FS6L45K	FS6L5K
Lumens:	5992	5765	5765
Watts:	48.79	47.63	47.63
Lumens/Watt:	122.82	121.05	121.05
CRI:	80	80	80
CCT:	4000	4500	5000
DLC Prod. ID:	PN08DNH1	PVAHIP9	PT1ZQ2S7

Construction:

This compact but powerful flood light is a true innovation combining practicality and aesthetics. With a highly efficient LED driver and precise optical control, greater lighting performance adds value to its exterior appearance. These LED lights have transformed the landscape lighting environment. Utilizing performance optics and long lasting driver, these landscape lights will last for years to come.

Optics:

Atlas optic flood lights utilize individual lenses for maximum light intensity. These lenses are made of optical grade acrylic. This guarantees more footcandles, less glare and less wasted light.

Thermal Management:

Atlas optic flood lights are designed as a complete system to optimize LED life and light output. The Patent Pending thermal stacking heat removal technology extracts heat from within the housing moving it away from LEDs and components. The lower temperatures result in long LED life (200,000+ hrs¹) and component life and also allows for higher light output.

Listings:

Luminaire is certified to UL/cUL Standards for Wet Locations.
DesignLights Consortium qualified luminaire, eligible for rebates from DLC member utilities.
IP66 Rated

AC Input:

120/208/240/277 V

Driver:

Constant current, Class 2, 120-277 VAC, 50-60 Hz
High Efficiency – min. 84%
Off-State Power: 0 Watts
0-10 V Dimming

LEDs:

4000K, 4500K, 5000K CCT
Epoxy Guard™ protective conformal coated boards
Atlas LEDs provide higher lumen output, greater energy efficiency and more reliable fixture performance. They are tested and binned at 700mA which is the actual operating current used in Atlas LED luminaires, giving a better representation of actual performance.

Reduced Glare:

Positioning of the LED modules within the housing result in light directed to desired locations and reduces offensive light.

Testing:

Atlas LED luminaires have been tested by an independent laboratory in accordance with IESNA LM-79 & LM-80.

Warranty: Five-year limited warranty

Photo Control:

For factory installed 120V button photo control add suffix PC to part number.

¹LED Life Span Based Upon LM-80 Test Results

Project Information

Job Name

Fixture Type 6,000 Lumen LED Flood Light

Catalog Number FS6L

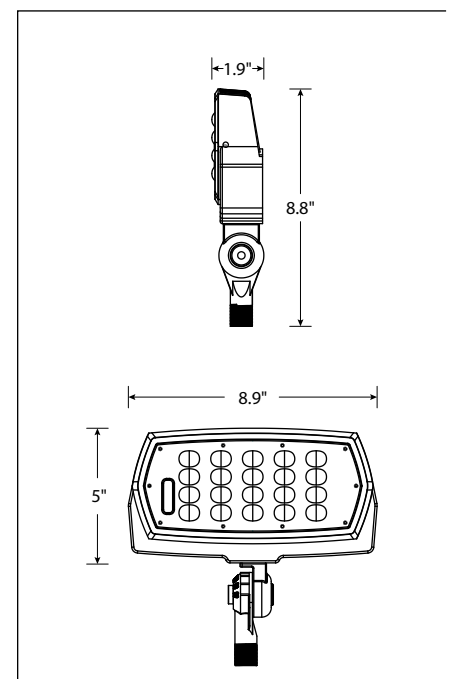
Approved by



Optional Factory
Installed Trunnion
Add Suffix T



DIMENSIONS:



**Rebates and Incentives are available in many areas.
Contact an Atlas Representative for more information.**

ATLAS LIGHTING PRODUCTS, INC.

PO BOX 2348 | BURLINGTON, NC 27216
800-849-8485 | FAX: 1-855-847-2794 | www.atlasled.com

*The majority of Atlas Lighting Products are assembled in USA facilities by an American Workforce utilizing both Domestic and Foreign components. Meets Buy American requirements within the ARRA.



INDEPENDENCE SERIES Flood Light

FS6L 6,000 Lumen LED Flood Light

ORDERING FORMAT

FS
PRODUCT SERIES
FS = Small
Flood Light

6L
LUMEN PACKAGE
6L = 6,000 Lumens

45K
COLOR TEMP.
4K = 4000K
45K = 4500K
5K = 5000K

[]
CONTROLS
Blank = Dimming (0-10V)
PC = 120V Photocontrol
PM = 208-277V Photocontrol

[]
VOLTAGE
Blank = 120-277

[]
COLOR
Blank = Bronze
WT = White*
BK = Black*
**optional with adder*

[]
MOUNTING
Blank = Knuckle
T = Trunnion