



CONSTITUTION SERIES Roadway Light

Project Information	
Job Name	
Fixture Type	Roadway Light
Catalog Number	
Approved by	

LED Roadway Light



SPECIFICATIONS:

Construction:

This luminaire performs efficiently and reliably against rugged outdoor environment. Constructed of die-cast aluminum, this street light is designed to optimize heat dissipation.

Optics:

The uniquely designed LED street light luminaire is a combination of advanced technology and functional design that is incorporated with a high efficiency LED module and precise optics control.

Thermal Management:

Atlas roadway lights are designed as a complete system to optimize LED life and light output. The thermal stacking heat removal technology extracts heat from within the housing moving it away from LEDs and components. The lower temperatures result in long LED life (200,000+ hrs¹) and component life and also allows for higher light output.

Listings:

Luminaire is certified to UL/cUL Standards for Wet Locations DesignLights Consortium qualified. All are eligible for rebates from DLC member utilities.

AC Input:

120/208/240/277/347/480 V

Driver:

Constant current, 120-277 VAC, 50-60 Hz
High Efficiency – min. 88%
Off-State Power: 0 Watts
0-10V Dimming

LEDs:

Available in 4000K, 4500K and 5000K CCT
Epoxy Guard™ protective conformal coated boards

Mounting:

Fits pipe with an outside diameter of 2" to 2 3/8"

Reduced Glare:

Positioning of the LED modules within the housing result in light directed to desired locations and reduces offensive light.

Testing:

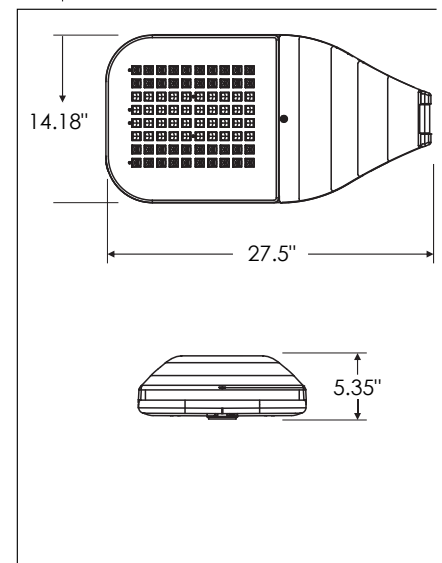
Atlas LED luminaires have been tested by an independent laboratory in accordance with IESNA LM-79 & LM-80.

Warranty:

Five-year limited warranty
7 Pin Photocell Receptacle standard
Surge Protection standard



DIMENSIONS:



¹LED Life Span Based Upon LM-80 Test Results

Rebates and Incentives are available in many areas. Contact an Atlas Representative for more information.

ATLAS LIGHTING PRODUCTS, INC.

PO BOX 2348 | BURLINGTON, NC 27216
800-849-8485 | FAX: 1-855-847-2794 | www.atlasled.com

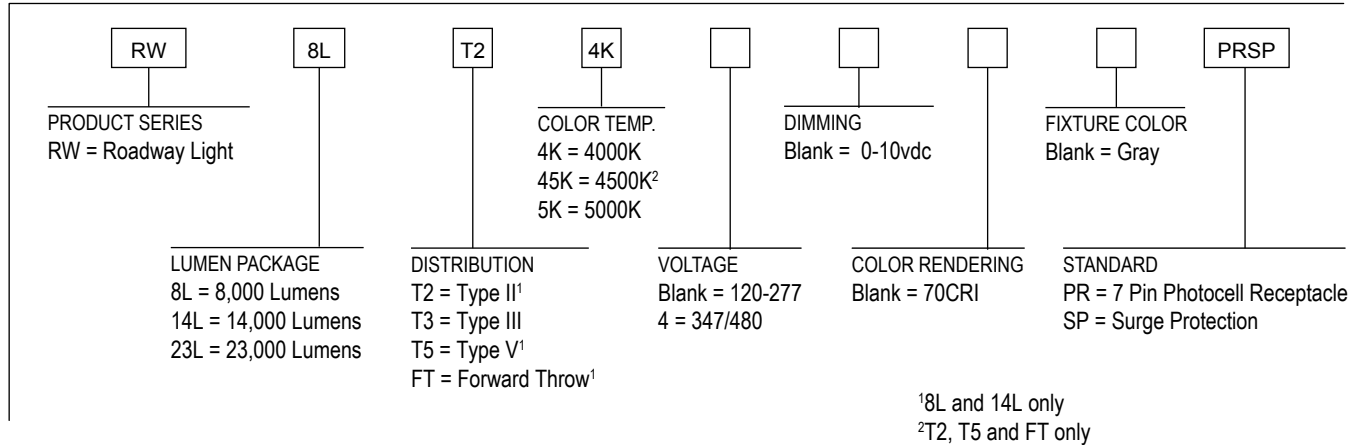
*The majority of Atlas Lighting Products are assembled in USA facilities by an American Workforce utilizing both Domestic and Foreign components. Meets Buy American requirements within the ARRA.



CONSTITUTION SERIES Roadway Light

LED Roadway Light

ORDERING INFORMATION



PERFORMANCE DATA

LUMEN PACKAGE	DISTRIBUTION	CRI	4000K CCT				4500K CCT				5000K CCT			
			DELIVERED LUMENS	EFFICACY (LPW)	WATTS	DLC ID #	DELIVERED LUMENS	EFFICACY (LPW)	WATTS	DLC ID #	DELIVERED LUMENS	EFFICACY (LPW)	WATTS	DLC ID #
8L	Type II	70	7,615	154	49.3	PVUC2WS5	7,509	152	49.3	PWA4Z4DF	7,572	154	49.3	PXHL1D1A
8L	Type III	70	8,193	132	63	P7FW08WC	n/a	n/a	n/a	n/a	8,238	130	64	PDO9BHH2
8L	Forward Throw	70	7,387	150	49.3	PDSI9PB1	7,345	149	49.3	P1VRSNYT	7,326	148	49.3	PZJE4CWN
8L	Type V	70	7,632	155	49.2	PDTWS34T	7,588	154	49.2	PE0ZBHPV	7,526	153	49.2	PULTY5W1
14L	Type II	70	13,289	146	90.9	P7STEQTI	13,079	144	90.9	PPME1KVF	12,872	142	90.9	P9ATC71Q
14L	Type III	70	13,850	116	120	PRJADB9R	n/a	n/a	n/a	n/a	14,070	115	122	PDGP7ITD
14L	Forward Throw	70	13,007	143	90.8	PWNGVL67	12,801	141	90.8	PJ2UQYYP	12,807	141	90.8	PCUA9GXY
14L	Type V	70	13,315	147	90.9	PBVHM66B	13,110	144	90.9	P5MY44R6	12,908	142	90.9	PZO6WRN4
23L	Type III	70	22,230	119	186	PHHWJ3B2	n/a	n/a	n/a	n/a	22,360	120	187	PQB1GS72