



Optic Flood Light

Project Information

Job Name

Fixture Type LED Optic Flood Light

Catalog Number PFXL2GH50L

Approved by

PFXL2GH50L LED Optic Flood Light



SPECIFICATIONS:

	PFXL2GH50L3K	PFXL2GH50L4K	PFXL2GH50L45K	PFXL2GH50L5K
Lumens:	47390	49910	49910	50760
Watts:	359.21	355.26	355.26	356.52
Lumens/Watt:	131.9	140.5	140.5	142.4
CRI:	70	70	70	70
CCT:	3000	4000	4500	5000
DLC Prod. ID:	PI5RM3HT	PU2ZXSL3	PZ3Z2GVX	PUGH1KX

Construction:

Designed for commercial and industrial applications, providing cooler operating temperatures, brighter light and longer LED life. Apertures for field or factory installed photocontrol. Separate driver compartment for cooler operation and longer driver life. Removable back panel offers easy access to the driver compartment. Available with heavy duty trunnion or slipfitter.

Optics:

Atlas optic flood lights utilize individual lenses for maximum light intensity. These lenses are made of optical grade acrylic. This guarantees more footcandles, less glare and less wasted light.

Thermal Management:

Atlas optic flood lights are designed as a complete system to optimize LED life and light output. The Patent Pending thermal stacking heat removal technology extracts heat from within the housing moving it away from LEDs and components. The lower temperatures result in long LED life (200,000+ hrs¹) and component life and also allows for higher light output.

Listings:

Luminaire is certified to UL/cUL Standards for Wet Locations. DesignLights Consortium qualified luminaire, eligible for rebates from DLC member utilities. IP65 Rated

AC Input: 120/208/240/277 V

Driver:

Constant current, Class 2, 120-277 VAC, 50-60 Hz
High Efficiency – min. 88%
Off-State Power: 0 Watts
0-10 V Dimming

LEDs:

3000K, 4000K, 4500K, 5000K CCT
Epoxy Guard™ protective conformal coated boards
Atlas LEDs provide higher lumen output, greater energy efficiency and more reliable fixture performance. They are tested and binned at 700mA which is the actual operating current used in Atlas LED luminaires, giving a better representation of actual performance.

Reduced Glare:

Positioning of the LED modules within the housing result in light directed to desired locations and reduces offensive light.

Testing:

Atlas LED luminaires have been tested by an independent laboratory in accordance with IESNA LM-79 & LM-80.

Warranty: Five-year limited warranty

Options:

Photo Control - For factory installed 120V button photo control add suffix PC to part number.
480 Volt - For 480V add suffix 4 to part number.

¹LED Life Span Based Upon LM-80 Test Results



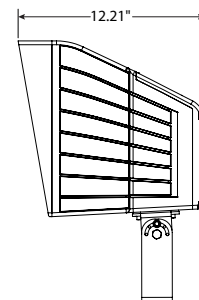
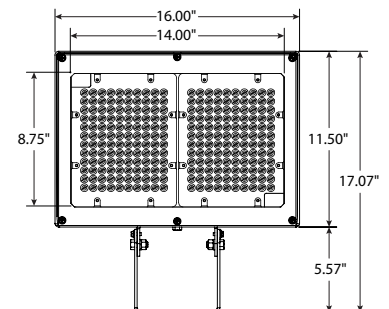
Optional Factory Installed Slipfitter
Add Suffix S



DIMENSIONS:

Weight: (with Trunnion) 30 lbs.
(with Slipfitter) 31 lbs.

EPA: 1.29



**Rebates and Incentives are available in many areas.
Contact an Atlas Representative for more information.**

ATLAS LIGHTING PRODUCTS, INC.

PO BOX 2348 | BURLINGTON, NC 27216
800-849-8485 | FAX: 1-855-847-2794 | www.atlasled.com

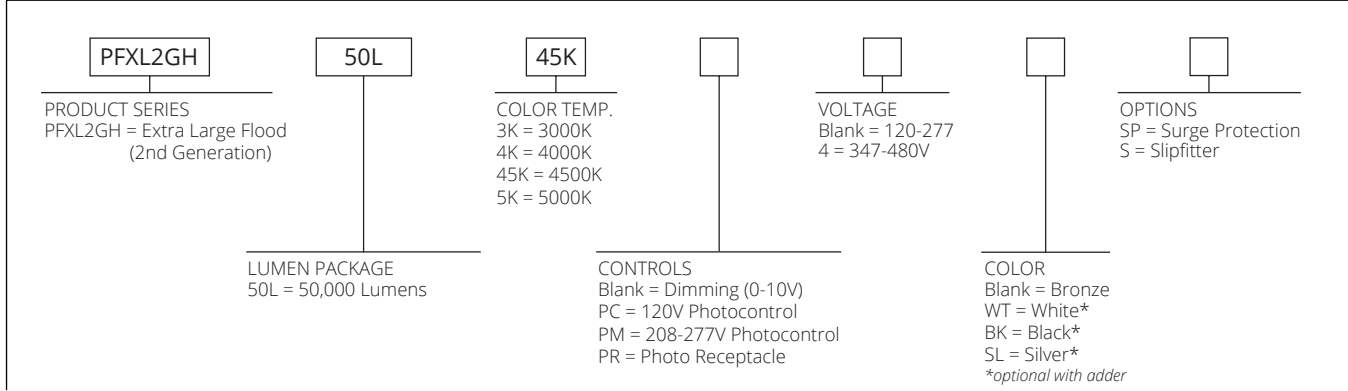
*The majority of Atlas Lighting Products are assembled in USA facilities by an American Workforce utilizing both Domestic and Foreign components. Meets Buy American requirements within the ARRA.



Optic Flood Light

PFXL2GH50L LED Optic Flood Light

ORDERING FORMAT



MOUNTING DETAIL

