



# Eagle Series

2nd Generation LED Site Lighter



### Project Information

Job Name

Fixture Type Eagle Series

Catalog Number SLPS

Approved by

## SPECIFICATIONS:

### Construction:

Designed for commercial and industrial applications, providing cooler operating temperatures, brighter light and longer LED life. The die cast aluminum housing utilizes external airflow fins allow for greater heat dissipation. The easy access driver compartment is a thermally independent compartment, separate from LED generated heat, for cooler operation and longer driver life.

### Optics:

Atlas Site Lighter Pro fixtures utilize precision engineered individual lenses for maximum light intensity. The lens is made of optical grade polycarbonate. Advanced one piece optic board engineered for maximum light intensity. Types II, V and Forward Throw distributions are available. Type II and Forward Throw optics are rotatable allowing for optimal placement of the fixtures on the perimeter of any layout.

### Mounting:

The easy mount bracket makes installation to any style pole quick and easy. Tenon and other mounting accessories also available. For round poles **500-SLPMRPA** is required.

### Thermal Management:

Atlas Site Lighter Pro fixtures are designed as a complete system to optimize LED life and light output. The thermal stacking heat removal technology extracts heat from within the housing moving it away from LEDs and components. The lower temperatures result in long LED life (200,000+ hrs<sup>1</sup>) and component life and also allows for higher light output.

### Listings:

Luminaire is certified to UL/cUL Standards for Wet Locations  
<sup>2</sup>The following qualify for DesignLights Consortium Premium: SLPS6L (All colors/options), all other luminaires are DesignLights Consortium qualified. All are eligible for rebates from DLC member utilities.

### AC Input:

120/208/240/277/347/480 V

### Driver:

Constant current, 120-277 VAC, 50-60 Hz  
High Efficiency – min. 88%  
Off-State Power: 0 Watts  
0-10 V Dimming

### LEDs:

Available in 4000K, 4500K and 5000K, CCT  
Epoxy Guard™ protective conformal coated boards

### Reduced Glare:

Positioning of the LED modules within the housing result in light directed to desired locations and reduces offensive light.

### Testing:

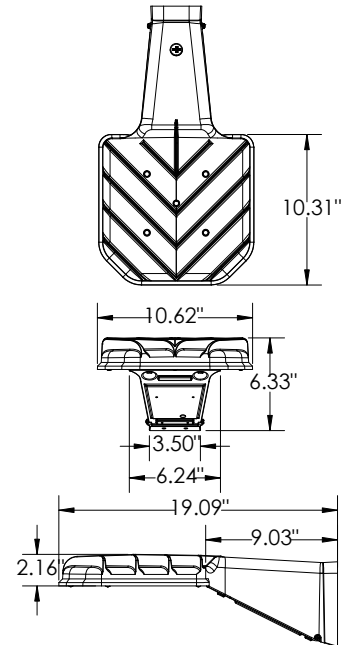
Atlas LED luminaires have been tested by an independent laboratory in accordance with IESNA LM-79 & LM-80.

**Warranty:** Five-year limited warranty

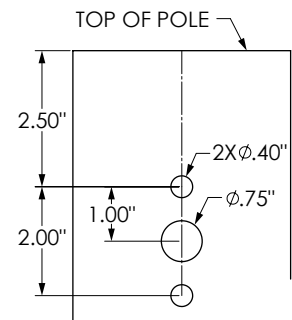


## DIMENSIONS:

Weight: 12 lbs.



## DRILL PATTERN:



For round poles **500-SLPMRPA** is required.

**Rebates and Incentives are available in many areas. Contact an Atlas Representative for more information.**

<sup>1</sup>LED Life Span Based Upon LM-80 Test Results

## ATLAS LIGHTING PRODUCTS, INC.

PO BOX 2348 | BURLINGTON, NC 27216  
800-849-8485 | FAX: 1-855-847-2794 | www.atlasled.com

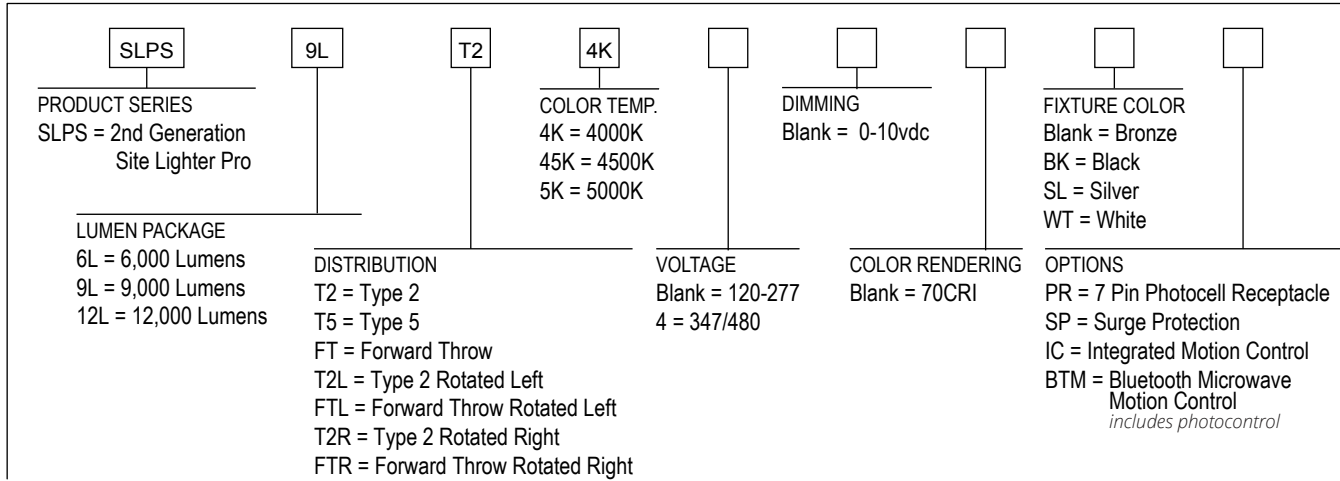
\*The majority of Atlas Lighting Products are assembled in USA facilities by an American Workforce utilizing both Domestic and Foreign components. Meets Buy American requirements within the ARRA.



# Eagle Series

2nd Generation LED Site Lighter

## ORDERING INFORMATION



## PERFORMANCE DATA

LUMEN PACKAGE	DISTRIBUTION	CRI	4000K CCT			4500K CCT			5000K CCT		
			DELIVERED LUMENS	EFFICACY (LPW)	WATTAGE	DELIVERED LUMENS	EFFICACY (LPW)	WATTAGE	DELIVERED LUMENS	EFFICACY (LPW)	WATTAGE
6L	T2	70	6297	154	41.0	6288	153	41.0	6288	153	41.0
	FT	70	6005	146	40.6	5839	144	40.6	5839	144	40.6
	T5	70	6025	147	40.6	6016	147	40.9	6016	147	40.9
9L	T2	70	9041	144.4	62.6	8859	141.5	62.6	8859	141.5	62.6
	FT	70	8717	139.2	62.8	8541	136.0	62.8	8541	136.0	62.8
	T5	70	8639	137.9	62.5	8465	134.8	62.8	8465	134.8	62.8
12L	T2	70	12028	135.9	88.6	11822	133.4	88.6	11822	133.4	88.6
	FT	70	11417	128.9	88.6	11222	126.7	88.6	11222	126.7	88.6
	T5	70	11578	130.5	88.7	11380	128.9	88.3	11380	128.9	88.3

## DLC PRODUCT INFORMATION:

LUMEN PACKAGE	DISTRIBUTION	4000K CCT		4500K CCT		5000K CCT	
		DLC PRODUCT ID	CLASSIFICATION	DLC PRODUCT ID	CLASSIFICATION	DLC PRODUCT ID	CLASSIFICATION
6L	T2	PQWOQO9D	Premium	PXAHNRV6	Premium	P1GRIUCD	Premium
	FT	PAY0VYAV	Premium	PXF4SIUD	Premium	P5QCENSF	Premium
	WT5	P0DMQOVI	Premium	P83YWNY8	Premium	PD4VM47O	Premium
9L	T2	PUV7WJ61	Standard	PK37XOG7	Standard	PNFUPK5T	Standard
	FT	PL8ME6NS	Standard	PO7XU14A	Standard	PXVK7P7T	Standard
	T5	P040BRWG	Standard	PUKJHVL9	Standard	PO2FNUVI	Standard
12L	T2	PUJMYPNP	Standard	PWXFXL19	Standard	PXWNH38J	Standard
	FT	PBHJ66QB	Standard	P1Z84DCL	Standard	PI5NTZ6D	Standard
	T5	PZD6IX8V	Standard	PPBWIPC2	Standard	PS69WB74	Standard

### ATLAS LIGHTING PRODUCTS, INC.

PO BOX 2348 | BURLINGTON, NC 27216  
800-849-8485 | FAX: 1-855-847-2794 | www.atlasled.com

The majority of Atlas Lighting Products are assembled in USA facilities by an American Workforce utilizing both Domestic and Foreign components. Meets Buy American requirements within the ARRA.