



Dual Deal Pole Combo

2nd Generation LED Site Lighter & Pole Combo



Project Information

Job Name

Fixture Type Dual Deal Pole Combo

Catalog Number

Approved by

EAGLE SPECIFICATIONS:

Construction:

Designed for commercial and industrial applications, providing cooler operating temperatures, brighter light and longer LED life. The die cast aluminum housing utilizes external airflow fins allow for greater heat dissipation. The easy access driver compartment is a thermally independent compartment, separate from LED generated heat, for cooler operation and longer driver life.

Optics:

Atlas Site Lighter Pro fixtures utilize precision engineered individual lenses for maximum light intensity. The lens is made of optical grade polycarbonate. Advanced one piece optic board engineered for maximum light intensity. Types III, V and Forward Throw distributions are available.

Mounting:

The easy mount bracket makes installation to any style pole quick and easy. Tenon and other mounting accessories also available.

Thermal Management:

Atlas Site Lighter Pro fixtures are designed as a complete system to optimize LED life and light output. The thermal stacking heat removal technology extracts heat from within the housing moving it away from LEDs and components. The lower temperatures result in long LED life (200,000+ hrs¹) and component life and also allows for higher light output.

AC Input:

120/208/240/277 V

Driver:

Constant current, 120-277 VAC, 50-60 Hz
High Efficiency – min. 88%
Off-State Power: 0 Watts
0-10 V Dimming

LEDs:

Available in 4000K, 4500K and 5000K, CCT
Epoxy Guard™ protective conformal coated boards

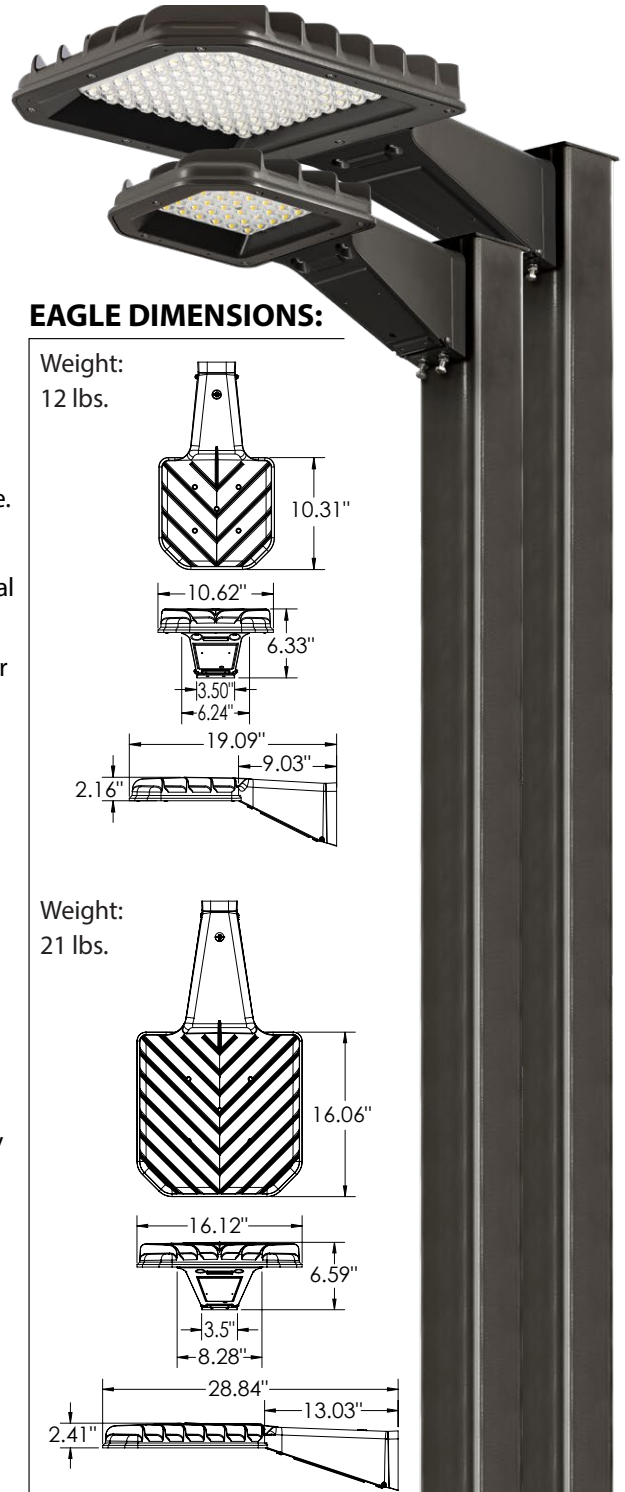
Reduced Glare:

Positioning of the LED modules within the housing result in light directed to desired locations and reduces offensive light.

Testing:

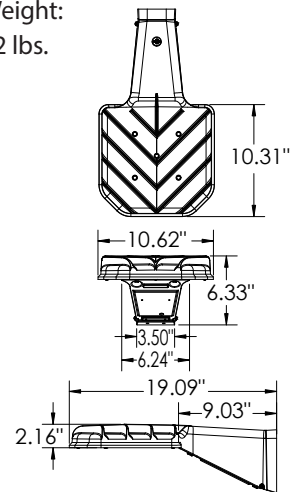
Atlas LED luminaires have been tested by an independent laboratory in accordance with IESNA LM-79 & LM-80.

Warranty: Five-year limited warranty

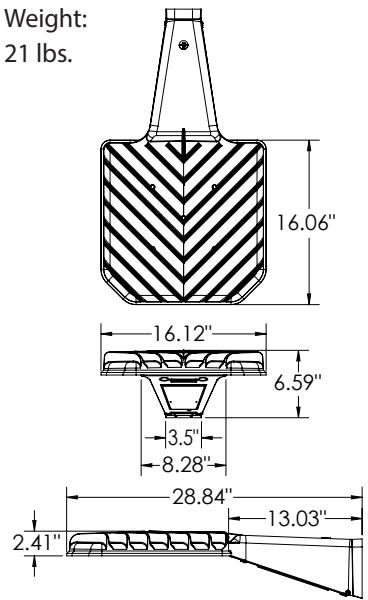


EAGLE DIMENSIONS:

Weight:
12 lbs.



Weight:
21 lbs.



Rebates and Incentives are available in many areas. Contact an Atlas Representative for more information.

¹LED Life Span Based Upon LM-80 Test Results



Dual Deal Pole Combo

2nd Generation LED Site Lighter & Pole Combo

2nd Generation LED Site Lighter & Pole Combo



POLE SPECIFICATIONS:

Pole Shaft

- Straight pole is 4" square.
- Pole shaft is electro-welded ASTM-A500 Grade C steel tubing with a minimum yield strength of 50,000 psi.

Hand-Hole

- Standard hand-hole location is 12" above pole base.
- 12' pole has a 2" x 4" non-reinforced hand-hole.
- 15' pole has a 2" x 4" reinforced hand-hole.
- 20' pole has a 2" x 4" non-reinforced hand-hole.
- 25' pole has a 3" x 6" reinforced hand-hole.

Base

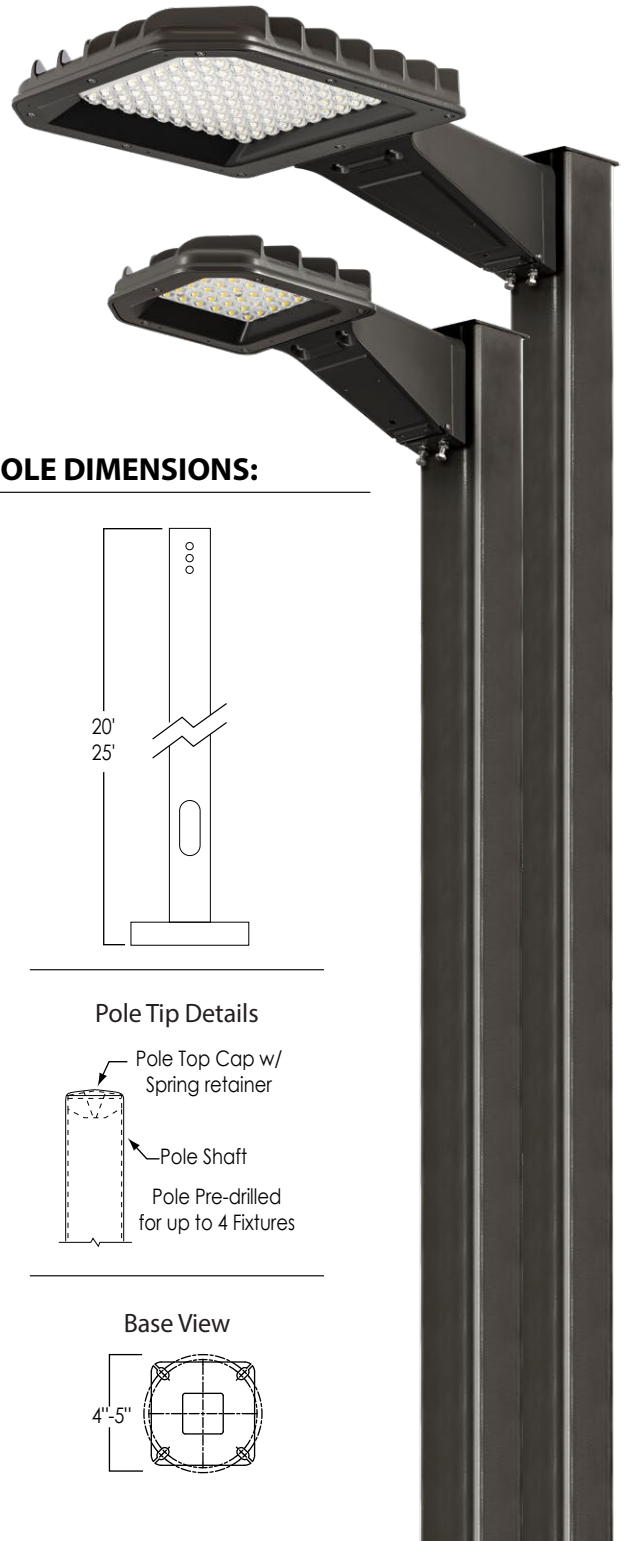
- Pole base is ASTM-A36 hot-rolled steel plate with a minimum yield strength of 36,000 psi.
- Two-piece square base cover is optional.

Anchor Bolts

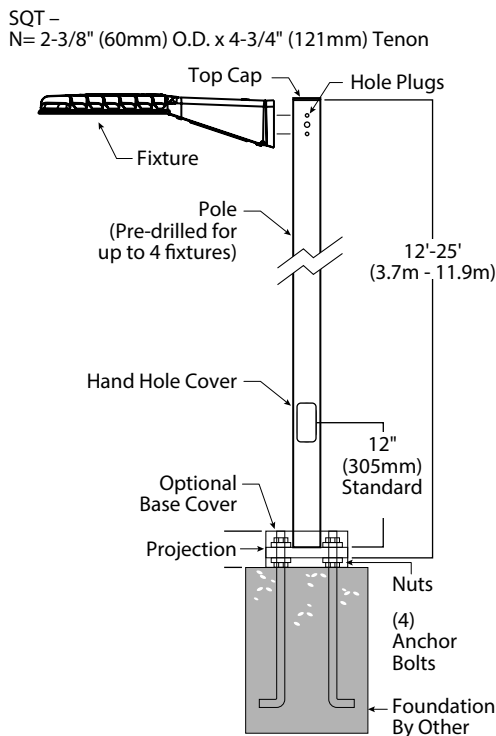
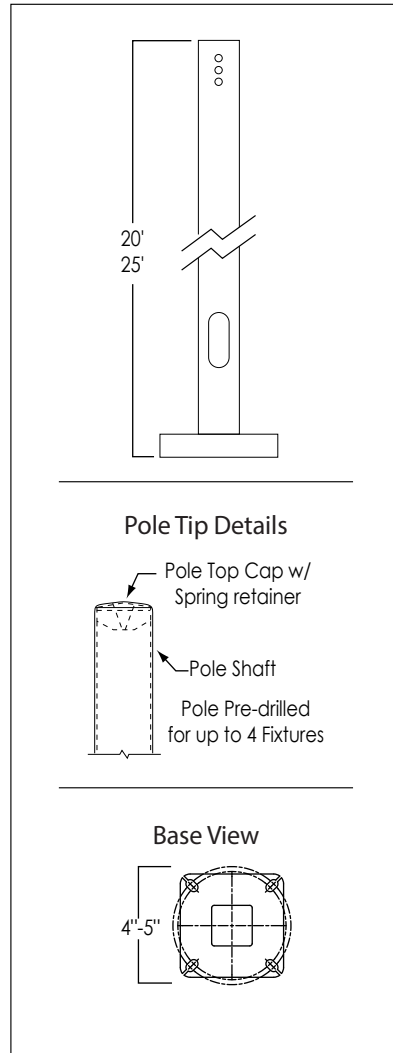
- Poles are furnished with anchor bolts featuring zinc-plated double nuts and washers. Galvanized anchor bolts are optional.
- Anchor bolts conform to ASTM F 1554-07a Grade 55 with a minimum yield strength of 55,000 psi.

Ground Lug

- Ground lug is standard.



POLE DIMENSIONS:



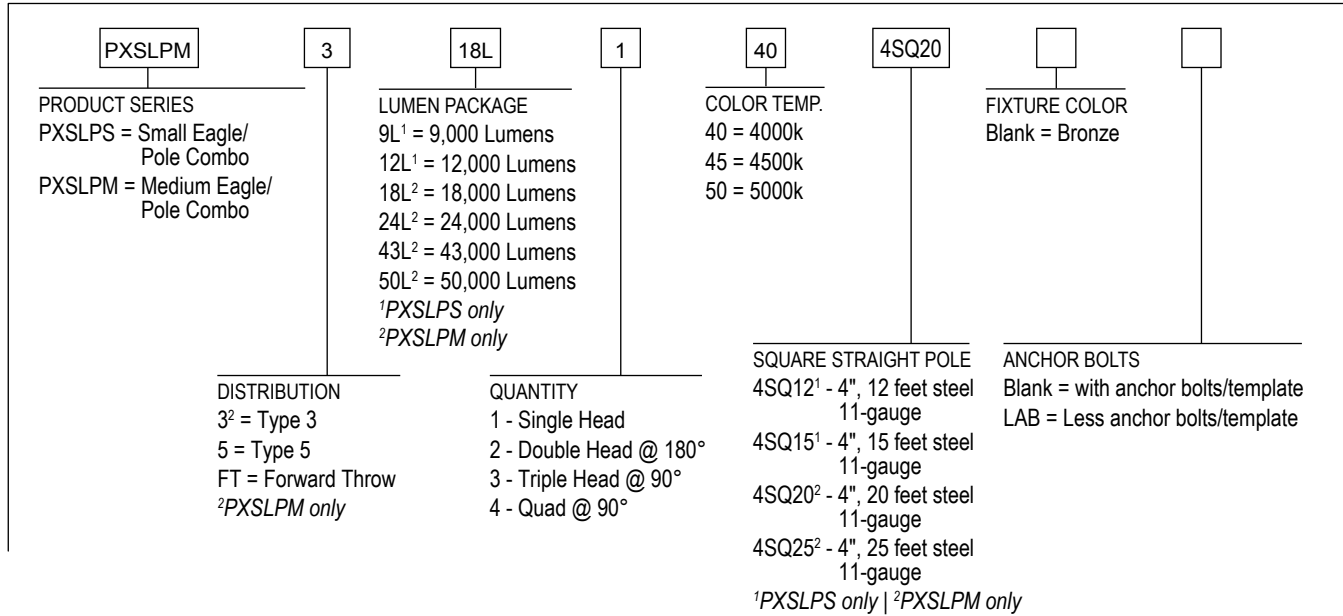
Rebates and Incentives are available in many areas. Contact an Atlas Representative for more information.



Dual Deal Pole Combo

2nd Generation LED Site Lighter & Pole Combo

ORDERING INFORMATION



EAGLE PERFORMANCE DATA PXSLPS

LUMEN PACKAGE	DISTRIBUTION	CRI	4000K CCT		4500K CCT		5000K CCT		WATTAGE
			DELIVERED LUMENS	EFFICACY (LPW)	DELIVERED LUMENS	EFFICACY (LPW)	DELIVERED LUMENS	EFFICACY (LPW)	
9L	FT	70	62.8	8541	136.0	62.8	8541	136.0	62.8
	T5	70	62.5	8465	134.8	62.8	8465	134.8	62.8
12L	FT	70	88.6	11222	126.7	88.6	11222	126.7	88.6
	T5	70	88.7	11380	128.9	88.3	11380	128.9	88.3

PXSLPM

LUMEN PACKAGE	DISTRIBUTION	CRI	4000K CCT		4500K CCT		5000K CCT		WATTAGE
			DELIVERED LUMENS	EFFICACY (LPW)	DELIVERED LUMENS	EFFICACY (LPW)	DELIVERED LUMENS	EFFICACY (LPW)	
18L	T3	70	18289	159	18367	160	18546	161	115
	FT	70	17806	155	17883	156	18056	157	
	T5	70	18299	159	18378	160	18556	161	
24L	T3	70	24255	152	24359	153	24596	154	160
	FT	70	23650	148	23751	149	23981	150	
	T5	70	24296	152	24401	153	24637	154	
43L	T3	70	43068	124	43253	124	43672	125	348
	FT	70	42411	122	42593	122	43006	123	
	T5	70	43099	124	43284	124	43703	125	
50L	T3	70	49190	148	48324	145	48324	145	333
	FT	70	47891	144	47048	142	47048	142	
	T5	70	49524	149	48652	146	48652	146	

POLE DATA

MOUNTING HEIGHT LENGTH (FT)	CATALOG NUMBER	SHAFT			POLE BASE			MAXIMUM LOADING									
		BASE O.D. (IN)	WALL THK. (GA)	GROSS WEIGHT (LBS)	BOLT CIRCLE RANGE	PLATE WIDTH (IN)	PLATE THICK (IN)	110 MPH	115 MPH	120 MPH	130 MPH	140 MPH	150 MPH	160 MPH	170 MPH	180 MPH	
								EPA (FT ²)	EPA (FT ²)	EPA (FT ²)	EPA (FT ²)	EPA (FT ²)	EPA (FT ²)	EPA (FT ²)	EPA (FT ²)	EPA (FT ²)	EPA (FT ²)
12	SSS12411BZ	4	11	90	8" - 11"	8	0.75	13.9	12.5	11.3	9.2	7.6	6.3	5.2	4.3	3.6	
15	SSS15411BZ	4	11	113	8" - 11"	8	0.75	8.2	7.2	6.4	4.9	3.8	2.9	2.1	1.5	1.0	
20	SSS20411BZ	4	11	150	8" - 11"	8	0.75	4.6	3.9	3.2	2.1	1.2	0.6	n/a	n/a	n/a	
25	SSS25411BZ	4	11	188	8" - 11"	8	0.75	4.6	3.7	3	1.7	0.7	n/a	n/a	n/a	n/a	

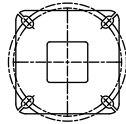
ATLAS LIGHTING PRODUCTS, INC.

PO BOX 2348 | BURLINGTON, NC 27216
 800-849-8485 | FAX: 1-855-847-2794 | www.atlasled.com

The majority of Atlas Lighting Products are assembled in USA facilities by an American Workforce utilizing both Domestic and Foreign components. Meets Buy American requirements within the ARRA.

BOLT CIRCLE

4" (102mm) square
10-1/2" (267mm) sq.



12" (305mm) Dia. Bolt Circle

Bolt Circle	Slotted 11"-12" (279mm-305mm)
Anchor Bolt Size	3/4" x 30" (19mm x 762mm)
Anchor Bolt Projection	3-1/4" (83mm)
Base Plate Opening for Wireway Entry	4-1/8" (105mm)
Base Plate Dimensions	10-1/2" sq. x 3/4" thk. (267mm x 19mm)
Pole Gauge	11

Note: Base plate illustrations may change without notice. Do not use for setting anchor bolts. Consult factory for the appropriate anchor bolt template.

EPA

Figure 1	Configuration	EPA
	Single	0.6
	2 @ 180°	0.7
	3 @ 90°	2.1
	4 @ 90°	2.1