



PROJECT INFORMATION

JOB NAME	
FIXTURE TYPE	Hawk XW Series
CATALOG NUMBER	HXW
APPROVED BY	

SPECIFICATIONS

Construction:

Designed for commercial and industrial applications, providing cooler operating temperatures, brighter light and longer LED life. Apertures for field or factory installed photocontrol. Available with heavy duty knuckle or trunnion. Slipfitter adapter available.

Extra Wide Distribution Pattern:

Designed to provide maximum light spread for short set backs when lighting signs and washing walls.

Selectable Lumens:

Atlas Hawk SXW selectable flood lights are quick and easy to select and set up. Selectable lumens range from 8,000 to 16,000.

Selectable Color Temperatures:

3000K, 4000K and 5000K selectable CCT.

Thermal Management:

Atlas Hawk XW flood lights are designed as a complete system to optimize LED life and light output. The lower temperatures result in long LED life (200,000+ hrs¹) and component life and also allows for higher light output.

Listings:

Luminaire is certified to UL/cUL Standards for Wet Locations.

DesignLights Consortium Premium qualified luminaire, eligible for rebates from DLC member utilities.

AC Input: 120/208/240/277/347/480 V

Driver:

Constant current, 120-277 VAC, 50-60 Hz

High Efficiency – min. 88%

O-State Power: 0 Watts

0-10 V Dimming

LEDs:

3000K, 4000K, 4500K, 5000K CCT Fixed |

3000K, 4000K, 5000K CCT Selectable

Atlas LEDs provide higher lumen output, greater energy efficiency and more reliable fixture performance.

Reduced Glare:

Positioning of the LED modules within the housing result in light directed to desired locations and reduces offensive light.

Testing:

Atlas LED luminaires have been tested by an independent laboratory in accordance with IESNA LM-79 & LM-80.

Warranty: Five-year limited warranty

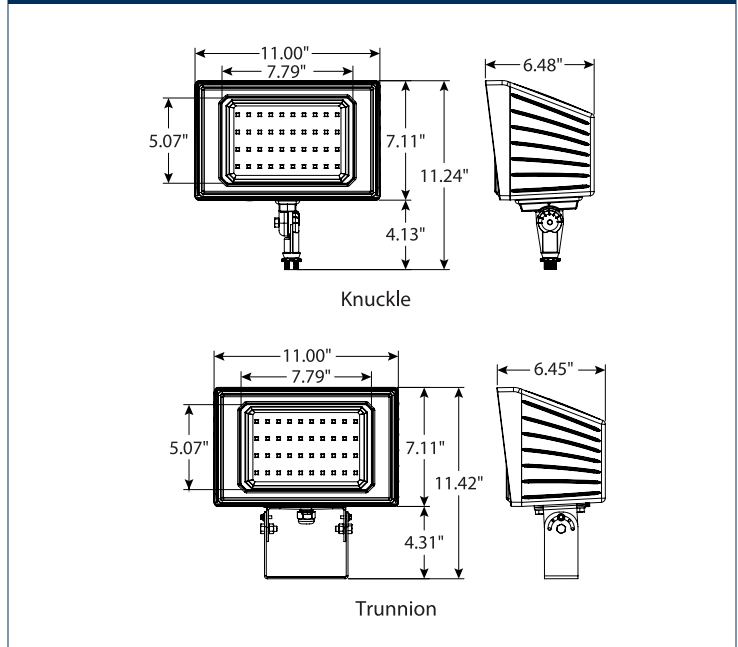
Options:

Photo Control - For factory installed 120V button photo control add suffix PC to part number. For factory installed 208-277V button photo control add suffix PM to part number.

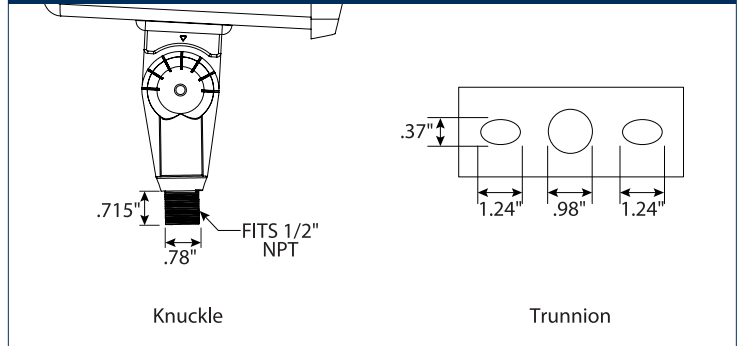
480 Volt - For 480V add suffix 4 to part number.



DIMENSIONS



MOUNTING DETAIL



Rebates and Incentives are available in many areas. Contact an Atlas Representative for more information.

¹LED Life Span Based Upon LM-80 Test Results



ORDERING INFORMATION

H	S	XW	8-16L					
PRODUCT SERIES	SELECTABLE	OPTICS	LUMEN PACKAGE	COLOR TEMP.	CONTROLS	VOLTAGE	FIXTURE COLOR	OPTIONS
H = Hawk Flood Light	blank = Fixed S = Selectable	XW = Extra Wide NEMA 7x7	8L = 8,000 Lumens Fixed 12L = 12,000 Lumens Fixed 16L = 16,000 Lumens Fixed 8-16L = 8,000 - 16,000 Lumens Selectable	blank = Selectable 3000K, 4000K, 5000K 3K = 3000K 4K = 4000K 45K = 4500K 5K = 5000K	Blank = Dimming (0-10V) PC = 120V Photocontrol PM = 208-277V Photocontrol PR = Photo Receptacle* <i>*Must use adapter</i>	Blank = 120-277 4 = 347/480	Blank = Bronze WT = White* BK = Black* SL = Silver* <i>*optional</i>	blank = Knuckle Mount T = Trunion Mount

PERFORMANCE DATA

Fixed

UNIT	CRI	3000K CCT			4000K CCT			4500K CCT			5000K CCT		
		DELIVERED LUMENS	EFFICACY (LPW)	WATTS	DELIVERED LUMENS	EFFICACY (LPW)	WATTS	DELIVERED LUMENS	EFFICACY (LPW)	WATTS	DELIVERED LUMENS	EFFICACY (LPW)	WATTS
HXW8L	70	9267	150.2	61.7	9711	157.4	61.7	9267	150.2	61.7	9366	151.8	61.7
HXW12L	70	12991	138.8	93.6	13613	145.4	93.6	12991	138.8	93.6	13129	140.3	93.6
HXW16L	70	16456	130.3	126.3	17244	136.7	126.1	16456	130.3	126.3	16631	131.8	126.2

Selectable

UNIT	CRI	Selectable 3000K CCT			Selectable 4000K CCT			Selectable 5000K CCT		
		DELIVERED LUMENS	EFFICACY (LPW)	WATTS	DELIVERED LUMENS	EFFICACY (LPW)	WATTS	DELIVERED LUMENS	EFFICACY (LPW)	WATTS
HSXW8-16L	70	9052	146.2	61.9	9945	160.7	61.9	9322	150.6	61.9
	70	13166	140.8	93.5	14465	154.7	93.5	13559	145.0	93.5
	70	16551	130.9	126.4	18184	151.9	119.7	17045	134.8	126.4

PERFORMANCE DATA

UNIT	3000K CCT		4000K CCT		4500K CCT		5000K CCT	
	DLC Product ID	Classification	DLC Product ID	Classification	DLC Product ID	Classification	DLC Product ID	Classification
HXW8L	P07C0VfV	Premium	P170QPDS	Premium	PM3E06IA	Premium	P4UFMOGN	Premium
HXW12L	PQEV5TDZ	Premium	PGSKN1GZ	Premium	PQ8FG73P	Premium	POKLGNSNS	Premium
HXW16L	PJ2507FD	Premium	PQMIGIG7M	Premium	PQK4L0HG	Premium	P6II2A8R	Premium

UNIT	DLC Product ID	Classification
HSXW8-16L	PYWAYVQP	Premium