



## PROJECT INFORMATION

JOB NAME	
FIXTURE TYPE	Hawk XP Series
CATALOG NUMBER	HXP
APPROVED BY	

## SPECIFICATIONS

### Construction:

Designed for commercial and industrial applications, providing cooler operating temperatures, brighter light and longer LED life. Apertures for field or factory installed photocontrol. Available with heavy duty knuckle or trunnion. Slipfitter adapter available.

### Optics:

Atlas Hawk XP flood lights utilize individual lenses for maximum light intensity. These lenses are made of optical grade acrylic. This guarantees more footcandles, less glare and less wasted light.

### Selectable Lumens:

Atlas Hawk SXP selectable flood lights are quick and easy to select and set up. Selectable lumens range from 8,000 to 16,000.

### Selectable Color Temperatures:

3000K, 4000K and 5000K selectable CCT.

### Thermal Management:

Atlas Hawk XP flood lights are designed as a complete system to optimize LED life and light output. The lower temperatures result in long LED life (200,000+ hrs<sup>1</sup>) and component life and also allows for higher light output.

### Listings:

Luminaire is certified to UL/cUL Standards for Wet Locations.

DesignLights Consortium Premium qualified luminaire, eligible for rebates from DLC member utilities.

**AC Input:** 120/208/240/277/347/480 V

### Driver:

Constant current, 120-277 VAC, 50-60 Hz

High Efficiency – min. 88%

O-State Power: 0 Watts

0-10 V Dimming

### LEDs:

3000K, 4000K, 4500K, 5000K CCT Fixed |

3000K, 4000K, 5000K CCT Selectable

Atlas LEDs provide higher lumen output, greater energy efficiency and more reliable fixture performance.

### Reduced Glare:

Positioning of the LED modules within the housing result in light directed to desired locations and reduces offensive light.

### Testing:

Atlas LED luminaires have been tested by an independent laboratory in accordance with IESNA LM-79 & LM-80.

**Warranty:** Five-year limited warranty

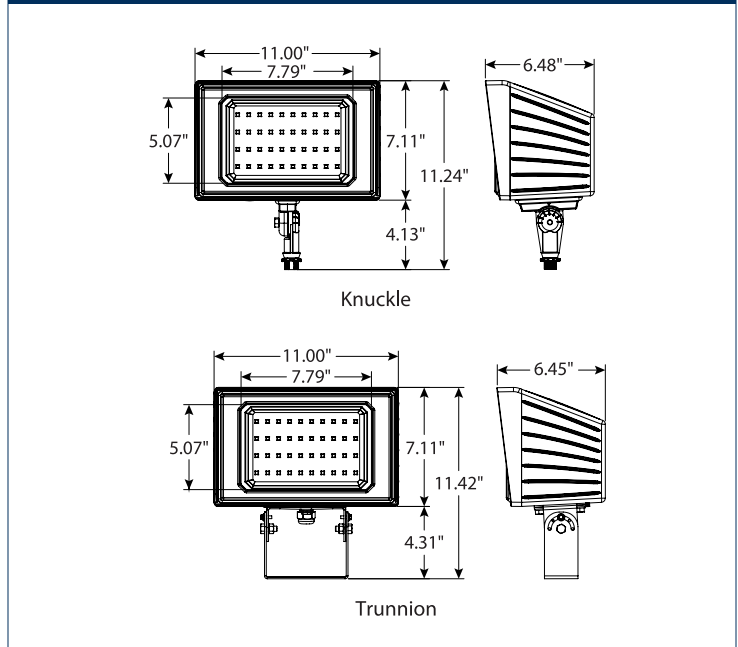
### Options:

Photo Control - For factory installed 120V button photo control add suffix PC to part number. For factory installed 208-277V button photo control add suffix PM to part number.

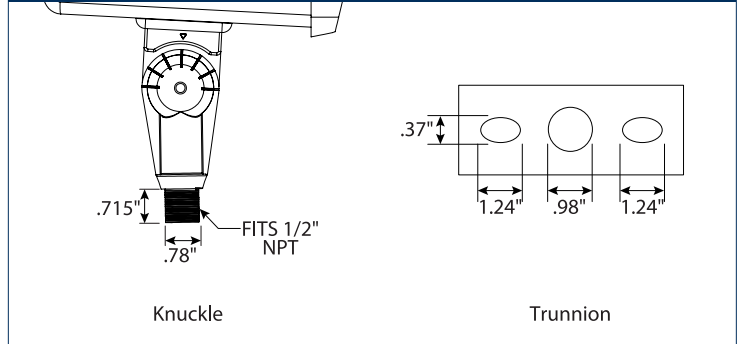
480 Volt - For 480V add suffix 4 to part number.



## DIMENSIONS



## MOUNTING DETAIL



Rebates and Incentives are available in many areas. Contact an Atlas Representative for more information.

<sup>1</sup>LED Life Span Based Upon LM-80 Test Results



### ORDERING INFORMATION

H	S	XP	6	8-16L					
PRODUCT SERIES	SELECTABLE	OPTICS	NEMA	LUMEN PACKAGE	COLOR TEMP.	CONTROLS	VOLTAGE	FIXTURE COLOR	OPTIONS
H = Hawk Flood Light	blank = Fixed S = Selectable	XP = Precision Optics	6 = NEMA 6x6	8L = 8,000 Lumens Fixed 12L = 12,000 Lumens Fixed 16L = 16,000 Lumens Fixed 8-16L = 8,000 - 16,000 Lumens Selectable	blank = Selectable 3000K, 4000K, 5000K 3K = 3000K 4K = 4000K 45K = 4500K 5K = 5000K	Blank = Dimming (0-10V) PC = 120V Photocontrol PM = 208-277V Photocontrol PR = Photo Receptacle* <i>*Must use adapter</i>	Blank = 120-277 4 = 347/480	Blank = Bronze WT = White* BK = Black* SL = Silver* <i>*optional</i>	blank = Knuckle Mount T = Trunnion Mount

### PERFORMANCE DATA

#### Fixed

UNIT	CRI	3000K CCT			4000K CCT			4500K CCT			5000K CCT		
		DELIVERED LUMENS	EFFICACY (LPW)	WATTS	DELIVERED LUMENS	EFFICACY (LPW)	WATTS	DELIVERED LUMENS	EFFICACY (LPW)	WATTS	DELIVERED LUMENS	EFFICACY (LPW)	WATTS
HXP68L	70	8654	140	62	9047	146	62	8871	143	62	8871	143	62
HXP612L	70	12224	130	94.1	12779	136	94.1	12530	133	94.1	12530	133	94.1
HXP616L	70	15010	119	126.2	15691	127	123.6	15386	127	121.4	15386	127	121.4

#### Selectable

UNIT	CRI	Selectable 3000K CCT			Selectable 4000K CCT			Selectable 5000K CCT		
		DELIVERED LUMENS	EFFICACY (LPW)	WATTS	DELIVERED LUMENS	EFFICACY (LPW)	WATTS	DELIVERED LUMENS	EFFICACY (LPW)	WATTS
HSXP68-16L	70	8445	137	61.8	9178	149	61.8	8749	142	61.8
	70	12144	130	93.3	13198	141	93.3	12581	135	93.3
	70	15170	120	126.5	16487	138	119.8	15716	124	126.6

### DLC CLASSIFICATION

UNIT	3000K CCT		4000K CCT		4500K CCT		5000K CCT	
	DLC Product ID	Classification	DLC Product ID	Classification	DLC Product ID	Classification	DLC Product ID	Classification
HXP68L	PJM8BWEB	Premium	PB707OPC	Premium	PDIWDIPW	Premium	PU4ZMVTO	Premium
HXP612L	P5N380AA	Premium	P85PNFAL	Premium	PD48FSV1	Premium	P0QGQK99	Premium
HXP616L	P6M407V2	Premium	PYLBY629	Premium	PORATD01	Premium	PWW0D69Q	Premium

UNIT	DLC Product ID	Classification
HSXP68-16L	PI0NY00L	Premium