



500-002G

Sports Light Wood Pole Bracket

SPECIFICATIONS:

Construction:

Steel

Overall Width:

66" (167.64 cm)

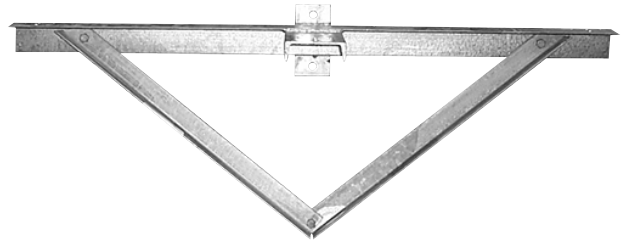
Project Information

Job Name

Type Sports Light Wood Pole Bracket

Catalog Number 500-002G

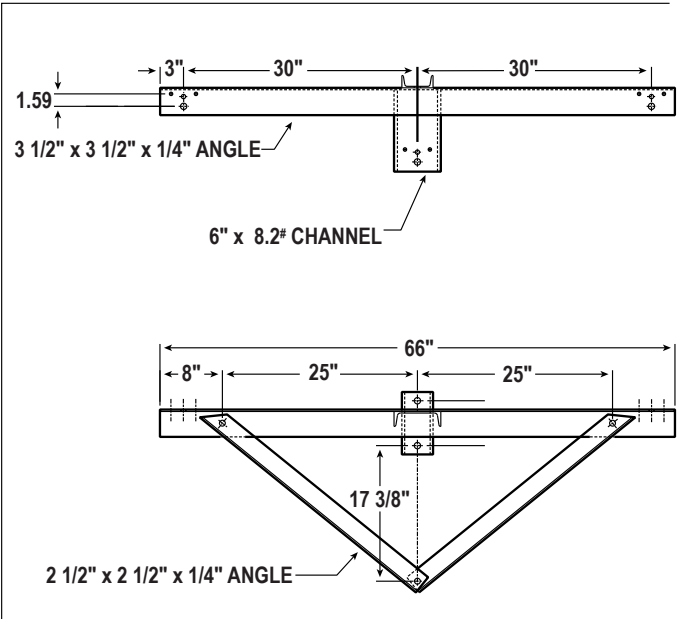
Approved by



ORDERING INFORMATION:

CATALOG #	DESCRIPTION	FINISH
500-002G	3 Light Bracket	Galvanized

DIMENSIONS:



ATLAS LIGHTING PRODUCTS, INC.

PO BOX 2348 | BURLINGTON, NC 27216
 800-849-8485 | FAX: 1-855-847-2794 | www.atlasled.com

Made in the USA of US and imported parts. Meets Buy American requirements within the ARRA.