



**500-004G**

Sports Light Wood Pole Bracket

**SPECIFICATIONS:**

**Construction:**

Steel

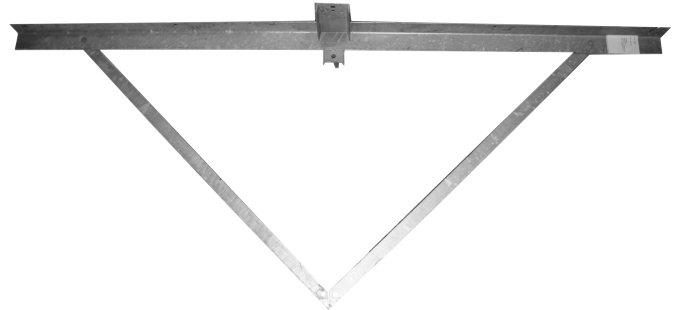
**Project Information**

**Job Name**

**Type** Sports Light Wood Pole Bracket

**Catalog Number** 500-004G

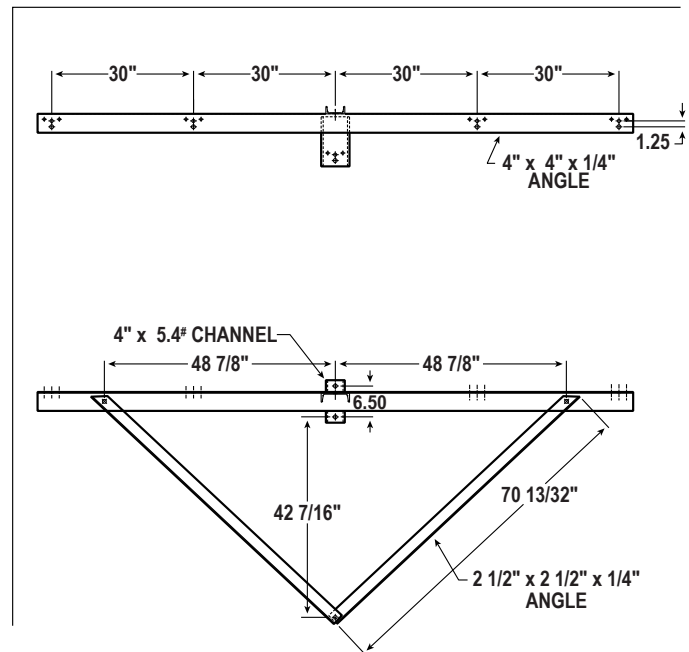
**Approved by**



**ORDERING INFORMATION:**

| CATALOG #       | DESCRIPTION     | FINISH     |
|-----------------|-----------------|------------|
| <b>500-004G</b> | 5 Light Bracket | Galvanized |

**DIMENSIONS:**



**ATLAS LIGHTING PRODUCTS, INC.**

PO BOX 2348 | BURLINGTON, NC 27216  
 800-849-8485 | FAX: 1-855-847-2794 | www.atlasled.com

Made in the USA of US and imported parts. Meets Buy American requirements within the ARRA.