



500-069G

Sports Light Crossarm Bracket

SPECIFICATIONS:

Construction:

Steel

Overall Height:

3.5" (8.89 cm)

Overall Width:

42" (106.68 cm)

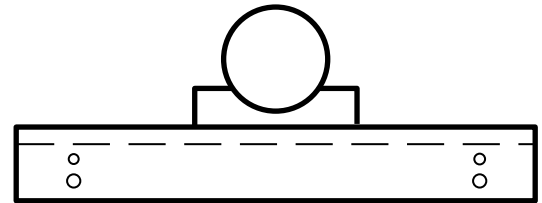
Project Information

Job Name

Type Sports Light Crossarm Bracket

Catalog Number 500-069G

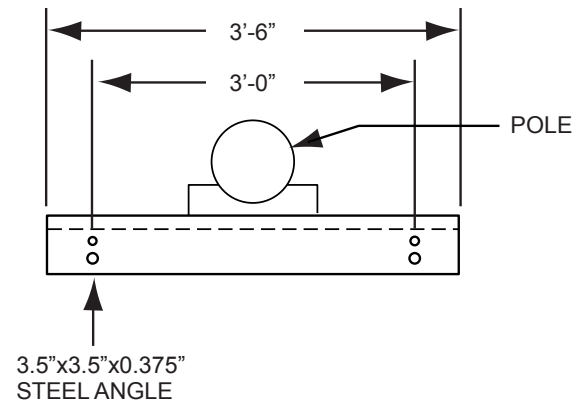
Approved by



ORDERING INFORMATION:

CATALOG #	DESCRIPTION	FINISH
500-069G	2 Light Bracket	Galvanized

DIMENSIONS:



ATLAS LIGHTING PRODUCTS, INC.

PO BOX 2348 | BURLINGTON, NC 27216
800-849-8485 | FAX: 1-855-847-2794 | www.atlasled.com

Made in the USA of US and imported parts. Meets Buy American requirements within the ARRA.