



CATALOG NUMBER: HPS150-0092-KT	
JOB NAME:	
CUSTOMER NAME:	
NOTES:	TYPE:
	DATE:

**FEATURES AND SPECIFICATIONS**

**HID KITS**  
**HIGH PRESSURE SODIUM BALLAST KIT WITHOUT LAMP**  
 FOR 150W HIGH PRESSURE SODIUM

**Wattages:**  
 High Pressure Sodium: 150w

**Construction:**  
 Attractive Display Carton  
 Easy Access Packaging  
 No Staples / No Tape

**Mounting**  
 Factory Drilled for Mounting

**Specifications:**  
 Mounting Holes: .218" Dia. (0.55 cm)  
 Weight: 3.3 lbs. (1.48 kg)

**Warranty:**  
 Atlas Lighting Products provides a 3 year limited warranty for this product.  
 A full warranty can be found at [www.alpinc.com](http://www.alpinc.com).



INPUT VOLTS		120
CIRCUIT TYPE	R-HPF	
POWER FACTOR (min)	90%	
REGULATION		
Line Volts	±10%	
Lamp Watts	±10%	
LINE CURRENT (Amps)		
Operating.....		1.5
Open Circuit.....		2.5
Starting.....		2.0
UL TEMPERATURE RATINGS		
Insulation Class	H(180°C)	
Coil Temperature Code	1029	A
MIN. AMBIENT STARTING TEMP.	-20°F or -30°C	
NOM. OPEN CIRCUIT VOLTAGE	120	
INPUT VOLTAGE AT LAMP DROPOUT.....		60
INPUT WATTS	170	
RECOMMENDED FUSE (Amps).....		8
CORE and COIL		
Dimension (A)	2.10	
Dimension (B)	3.50	
Weight (lbs.)	3.3	
Lead Lengths	12"	
CAPACITOR REQUIREMENT		
Microfarads	55	
Volts (min.)	120	
Fault Current Withstand (amps)		
60 Hz TEST PROCEDURES (Refer to Advance Test Procedure for HID Ballasts - Form 1270)		
High Potential Test (Volts)		
1 minute	2000	
2 seconds	2500	
Open Circuit Voltage Test (Volts)	90-150	
Short-Circuit Current Test (Amps)		
Secondary Current	3.7-5.6	
Input Current.....		

**ORDERING INFORMATION**

Catalog #	Description	Volts
HPS150-0092-KT	HPS Ballast Kit	120V

**BALLAST TYPE**

**R-HPF**

Actual performance can vary depending on operating conditions. Specifications are subject to change without notice.

**ATLAS LIGHTING PRODUCTS, INC.**

PO BOX 2348 | BURLINGTON, NC 27216  
 800-849-8485 | FAX: 336-227-0110 | [www.atlaslightingproducts.com](http://www.atlaslightingproducts.com)

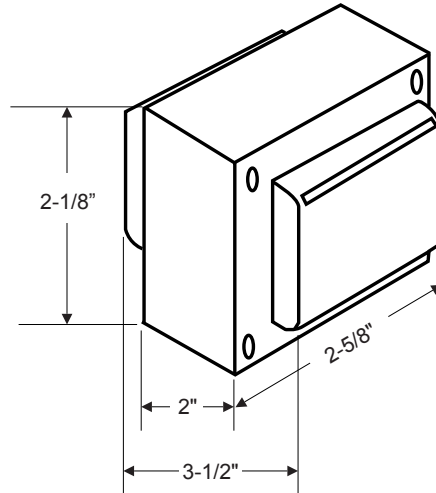


**HID KITS**  
**HIGH PRESSURE SODIUM BALLAST KIT**  
**WITHOUT LAMP**  
FOR 150W HIGH PRESSURE SODIUM

**DIMENSIONS**

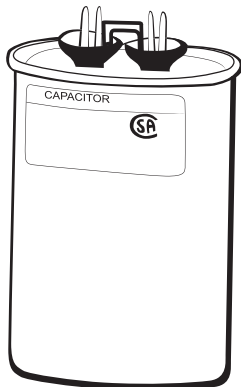
**Specifications:**

**Mounting Holes:**  
0.218" Dia. (0.55 cm)  
**Weight:**  
3.3 lbs. / 1.48 kg.



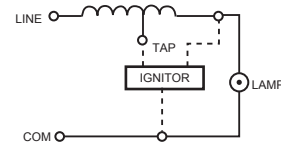
**CAPACITOR INFORMATION**

**Capacitance:** 150 Watt  
**Dia/Oval Dim:** 2.74"  
**Height:** 4.5"  
**Temp Rating:** 90°  
**MicroFarad (MFD):** 55, 280V



40-003

**WIRING DIAGRAM**



Actual performance can vary depending on operating conditions. Specifications are subject to change without notice.

**ATLAS LIGHTING PRODUCTS, INC.**

PO BOX 2348 | BURLINGTON, NC 27216  
800-849-8485 | FAX: 336-227-0110 | [www.atlaslightingproducts.com](http://www.atlaslightingproducts.com)