



CATALOG NUMBER: MH175-0127-KT	
JOB NAME:	
CUSTOMER NAME:	
NOTES:	TYPE:
	DATE:

FEATURES AND SPECIFICATIONS

HID KITS
METAL HALIDE BALLAST KIT WITHOUT LAMP
 FOR 175W METAL HALIDE

Wattages:

Metal Halide: 175w

Construction:

- Attractive Display Carton
- Easy Access Packaging
- No Staples / No Tape

Mounting

Factory Drilled for Mounting

Specifications:

- Mounting Holes: .218" Dia. (0.55 cm)
- Weight: 6.8 lbs. (3.10 kg)

Warranty:

Atlas Lighting Products provides a 3 year limited warranty for this product. A full warranty can be found at www.alpinc.com.

**EISA REQUIREMENTS
 ARE NOT APPLICABLE TO
 REPLACEMENTS KITS**



INPUT VOLTS		120	208	240	277
CIRCUIT TYPE	CWA-HPF				
POWER FACTOR (min)	90%				
REGULATION					
Line Volts	±10%				
Lamp Watts	±10%				
LINE CURRENT (Amps)					
Operating.....		1.9	1.0	.90	.80
UL TEMPERATURE RATINGS					
Insulation Class	H(180°C)				
Coil Temperature Code	1029	B	B	B	B
MIN. AMBIENT STARTING TEMP.	-20°F or -30°C				
NOM. OPEN CIRCUIT VOLTAGE	310				
INPUT WATTS	215				
RECOMMENDED FUSE (Amps).....		5	3	3	2
WEIGHT (lbs.)	6.8				
60 Hz TEST PROCEDURES					
High Potential Test (Volts)					
1 minute	2000				
2 seconds	2500				
Open Circuit Voltage Test (Volts)	280-340				

ORDERING INFORMATION

Catalog #	Description	Volts
MH175-0127-KT	MH Ballast Kit	Quad

BALLAST TYPE

CWA-HPF

Actual performance can vary depending on operating conditions. Specifications are subject to change without notice.

ATLAS LIGHTING PRODUCTS, INC.

PO BOX 2348 | BURLINGTON, NC 27216

800-849-8485 | FAX: 336-227-0110 | www.atlaslightingproducts.com

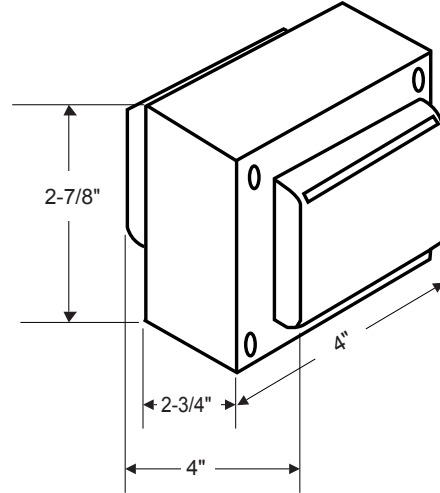


HID KITS
METAL HALIDE BALLAST KIT
WITHOUT LAMP
FOR 175W METAL HALIDE

DIMENSIONS

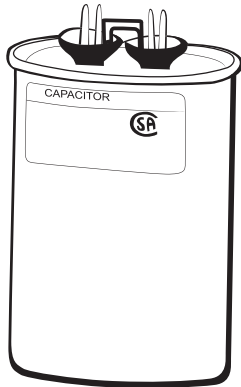
Specifications:

Mounting Holes:
0.218" Dia. (0.55 cm)
Weight:
6.8 lbs. / 3.10 kg.



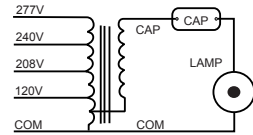
CAPACITOR INFORMATION

Capacitance: 175 Watt
Dia/Oval Dim: 2.18"
Height: 4.5"
Temp Rating: 90°C
MicroFarad (MFD): 10, 400V



40-009

WIRING DIAGRAM



Actual performance can vary depending on operating conditions. Specifications are subject to change without notice.

ATLAS LIGHTING PRODUCTS, INC.

PO BOX 2348 | BURLINGTON, NC 27216
800-849-8485 | FAX: 336-227-0110 | www.atlaslightingproducts.com