



CATALOG NUMBER: MH250-0005-KT	
JOB NAME:	
CUSTOMER NAME:	
NOTES:	TYPE:
	DATE:

**FEATURES AND SPECIFICATIONS**

**HID KITS**  
**METAL HALIDE BALLAST KIT WITHOUT LAMP**  
 FOR 250W METAL HALIDE

**Wattages:**  
 Metal Halide: 250w

**Construction:**  
 Attractive Display Carton  
 Easy Access Packaging  
 No Staples / No Tape

**Mounting**  
 Factory Drilled for Mounting

**Specifications:**  
 Mounting Holes: .218" Dia. (0.55 cm)  
 Weight: 10.5 lbs. (4.80 kg)

**Warranty:**  
 Atlas Lighting Products provides a 3 year limited warranty for this product.  
 A full warranty can be found at [www.alpinc.com](http://www.alpinc.com).

**EISA REQUIREMENTS  
 ARE NOT APPLICABLE TO  
 REPLACEMENTS KITS**



INPUT VOLTS	120	208	240	277	480
CIRCUIT TYPE	CWA-HPF				
POWER FACTOR (min)	90%				
REGULATION					
Line Volts	±10%				
Lamp Watts	±10%				
LINE CURRENT (Amps)					
Operating.....	2.7	1.6	1.3	1.2	.60
UL TEMPERATURE RATINGS					
Insulation Class	H(180°C)				
Coil Temperature Code	1029				
A	A	A	A	A	A
MIN. AMBIENT STARTING TEMP.	-20°F or -30°C				
NOM. OPEN CIRCUIT VOLTAGE	300				
INPUT WATTS	290				
RECOMMENDED FUSE (Amps).....	7	4	4	3	2
WEIGHT (lbs.)	10.5				
60 Hz TEST PROCEDURES					
High Potential Test (Volts)					
1 minute	2000				
2 seconds	2500				
Open Circuit Voltage Test (Volts)	280-340				

**ORDERING INFORMATION**

Catalog #	Description	Volts
MH250-0005-KIT	MH Ballast Kit	5-Tap

**BALLAST TYPE**

**CWA-HPF**

Actual performance can vary depending on operating conditions. Specifications are subject to change without notice.

**ATLAS LIGHTING PRODUCTS, INC.**

PO BOX 2348 | BURLINGTON, NC 27216  
 800-849-8485 | FAX: 336-227-0110 | [www.atlaslightingproducts.com](http://www.atlaslightingproducts.com)



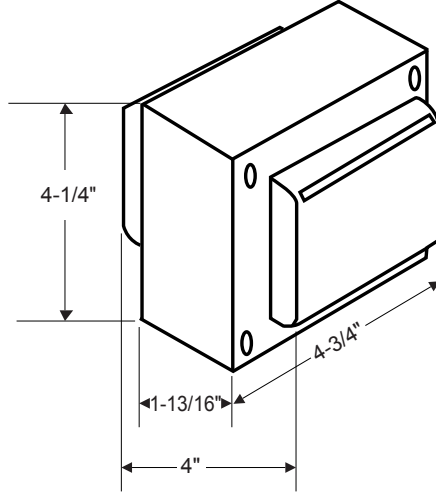
**HID KITS**  
**METAL HALIDE BALLAST KIT**  
**WITHOUT LAMP**  
**FOR 250W METAL HALIDE**

**DIMENSIONS**

**Specifications:**

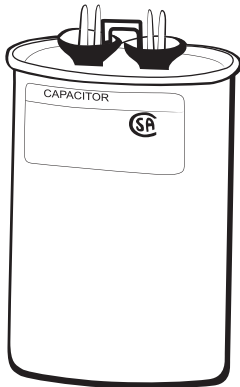
**Mounting Holes:**  
 0.218" Dia. (0.55 cm)

**Weight:**  
 10.5 lbs. / 4.80 kg.



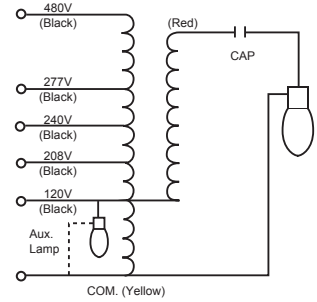
**CAPACITOR INFORMATION**

**Capacitance:** 250 Watt  
**Dia/Oval Dim:** 1.77" x 2.80"  
**Height:** 3.6"  
**Temp Rating:** 90°C  
**MicroFarad (MFD):** 15, 400V



40-010

**WIRING DIAGRAM**



Actual performance can vary depending on operating conditions. Specifications are subject to change without notice.

**ATLAS LIGHTING PRODUCTS, INC.**

PO BOX 2348 | BURLINGTON, NC 27216  
 800-849-8485 | FAX: 336-227-0110 | www.atlaslightingproducts.com