

Atlas Lighting Products® Atlas LED Canopy

VN1256LED 56 Watt LED Canopy



SPECIFICATIONS:

	VN1256LED3K	VN1256LED
Lumens:	6,085	6,591
Watts:	55.71	56.17
Lumens/Watt:	109.23	117.3
CRI:	84.8	83
CCT:	3156	4582
LC Prod. ID:	PKPIKE6H	P00000544

Construction

Rugged Traditional aluminum die cast housing provides proven environmental protection for LED modules. Traditional fixture designs provide a familiar look and standard installation requirements. Retaining this look allows the ability to upgrade fixtures gradually, while retaining the same overall fixture appearance throughout a facility. The smooth housing prevents debris build up and maximizes airflow over housing.

Glare Free

Positioning of the LED modules within the housing result in light directed to desired locations and eliminates offensive light.

Lens:

Lens assembly is designed to provide high efficiency and to target the light where needed to satisfy outdoor lighting requirements. Positioning of the LEDs (along with Patent Pending thermal management system) results in the light being directed to desired locations eliminating glare and offensive light.

Thermal Management:

Atlas' Patent Pending exclusive Thermal Stacking Technology System™ features a unique internal design that allows for lower operating temperatures which results in a brighter, whiter light, more stable color and longer LED and driver life.

Listings:

Luminaire is certified to UL/cUL Standards for Damp Locations
IDA Listed
DesignLights Consortium Premium qualified luminaire, eligible for rebates from DLC member utilities.

AC Input:

120/208/240/277 V

Driver:

Constant current, Class 2, 120-277 VAC, 50-60 Hz
High Efficiency – min. 88%
0 – 10 V dimming

LEDs:

3000K | 4500K CCT

Epoxy Guard™ protective conformal coated boards

Atlas LEDs provide higher lumen output, greater energy efficiency and more reliable fixture performance. They are tested and binned at 700mA which is the actual operating current used in Atlas LED luminaires, giving a better representation of actual performance.

Warranty: Five-year limited warranty

Testing:

Atlas LED luminaires have been tested by an independent laboratory in accordance with IESNA LM-79 & LM-80.

Installation:

Fixture retains the same knock-out sizes and positions as previous models, reducing wiring costs.

480 Volt: For 480V add suffix 4 to part number.

Weight: 7.25 lbs.

¹LED Life Span Based Upon LM-80 Test Results

Project Information

Job Name

Fixture Type 56 Watt LED Canopy

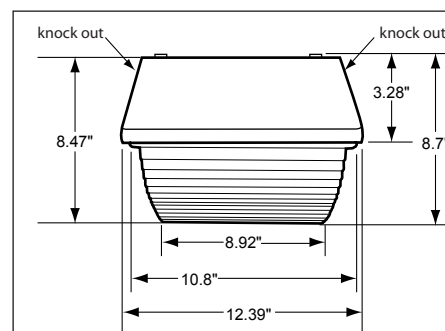
Catalog Number VN1256LED

Approved by



Patent Pending

DIMENSIONS:



**Rebates and Incentives are available in many areas.
Contact an Atlas Representative for more information.**

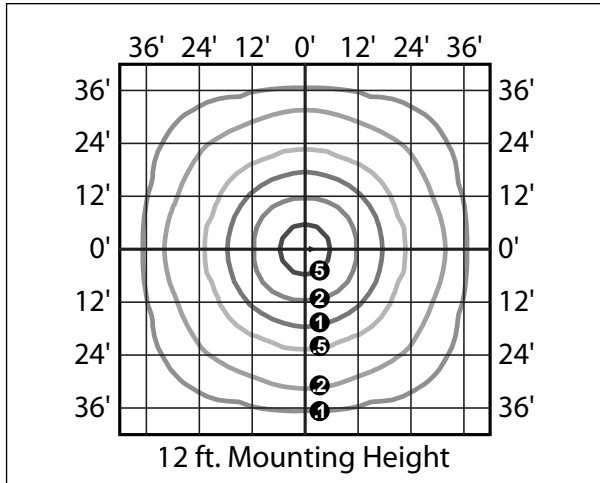
ATLAS LIGHTING PRODUCTS, INC.

PO BOX 2348 | BURLINGTON, NC 27216

800-849-8485 | FAX: 336-227-0110 | www.atlaslightingproducts.com

*The majority of Atlas Lighting Products are assembled in USA facilities by an American Workforce utilizing both Domestic and Foreign components. Meets Buy American requirements within the ARRA.

PHOTOMETRIC



ENERGY SAVINGS

LED		HID			ANNUAL SAVINGS
WATTAGE	ANNUAL COST	SOURCE WATTAGE	TOTAL WATTAGE USED	ANNUAL COST	
56	\$24	100	129	\$77	\$53
56	\$24	150	185	\$100	\$76
56	\$24	175	210	\$112	\$88

MOUNTING DETAIL

