



Extra-Wide Flood

Project Information

Job Name

Fixture Type 13 Watt LED Extra-Wide Flood Light

Catalog Number PFSXW13LED

Approved by

PFSXW13LED 13 Watt LED Extra-Wide Flood Light



SPECIFICATIONS:

3000K or warmer CCTs only

	PFSXW13LED3K	PFSXW13LED4K	PFSXW13LED	PFSXW13LED5K
Lumens:	1629	1629	1629	1682
Watts:	13.91	13.91	13.91	13.92
Lumens/Watt:	120.74	120.74	120.74	124.60
CRI:	80	80	80	80
CCT:	3000	4000	4500	5000
DLC Prod. ID:	P6J0OLDT	PZBFHEMQ	POO4U26L	PHQ4OYNW

Construction:

Designed for commercial and industrial applications, providing cooler operating temperatures, brighter light and longer LED life. Apertures for field or factory installed photocontrol. Heavy duty knuckle with 90° adjustment standard. Heavy duty trunnion mount also available.

Extra Wide Distribution Pattern:

Designed to provide maximum light spread for short set backs when lighting signs and washing walls.

Thermal Management:

Atlas Extra-Wide Flood Lights are designed as a complete system to optimize LED life and light output. The Patent Pending thermal stacking heat removal technology extracts heat from within the housing moving it away from LEDs and components. The lower temperatures result in long LED life (200,000+ hrs) and component life and also allows for higher light output.

Listings:

Luminaire is certified to UL/cUL Standards for Wet Locations
DesignLights Consortium Premium qualified luminaire, eligible for rebates from DLC member utilities.

AC Input:

120/208/240/277 V

Driver:

Constant current, Class 2, 120-277 VAC, 50-60 Hz
High Efficiency – min. 84%
Off-State Power: 0 Watts
0-10 V Dimming

LEDs:

3000K, 4000K, 4500K, 5000K CCT
Epoxy Guard™ protective conformal coated boards
Atlas LEDs provide higher lumen output, greater energy efficiency and more reliable fixture performance.

Testing:

Atlas LED luminaires have been tested by an independent laboratory in accordance with IESNA LM-79 & LM-80.

Warranty: Five-year limited warranty

Photo Control:

For factory installed 120V button photo control add suffix PC to part number.

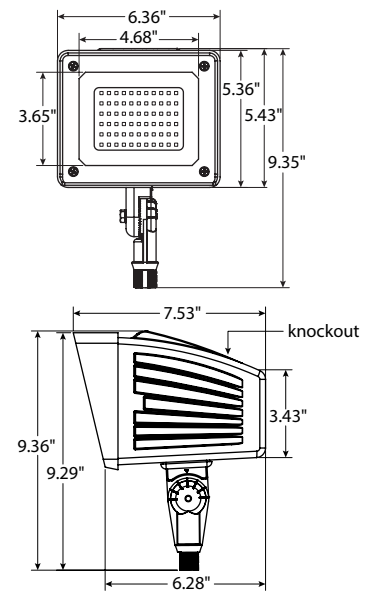


PFSXW13LED Design is Protected by US Patent D710,530

DIMENSIONS:

Weight: 7 lbs.

EPA: 0.33



¹LED Life Span Based Upon LM-80 Test Results

ATLAS LIGHTING PRODUCTS, INC.

PO BOX 2348 | BURLINGTON, NC 27216
800-849-8485 | FAX: 1-855-847-2794 | www.atlasled.com

Rebates and Incentives are available in many areas. Contact an Atlas Representative for more information.

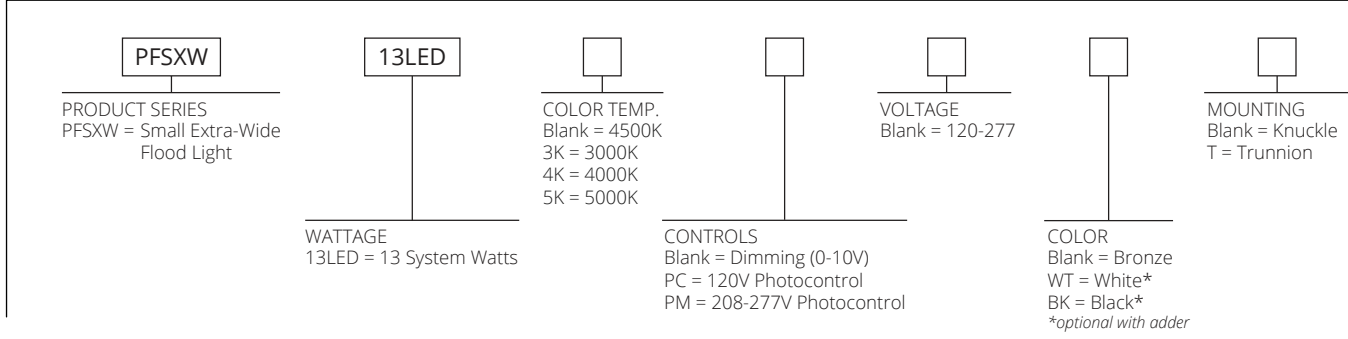
*The majority of Atlas Lighting Products are assembled in USA facilities by an American Workforce utilizing both Domestic and Foreign components. Meets Buy American requirements within the ARRA.



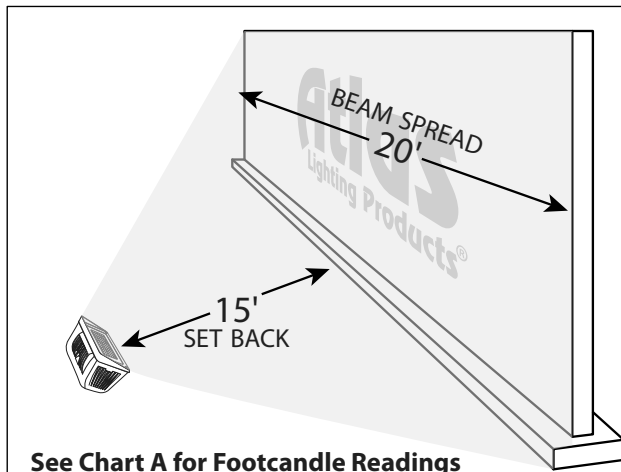
Extra-Wide Flood

PFSXW13LED
13 Watt LED Extra-Wide Flood Light

ORDERING FORMAT



PHOTOMETRIC



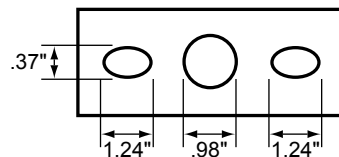
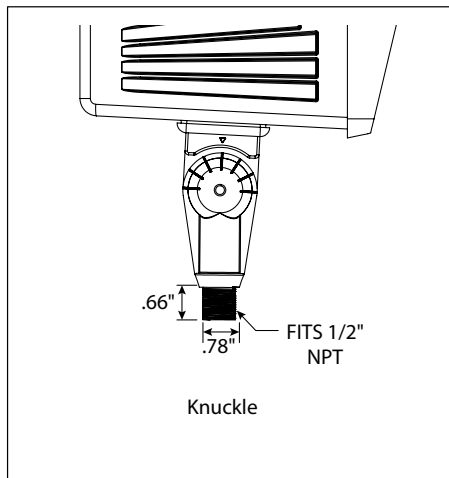
See Chart A for Footcandle Readings

FOOTCANDLE READINGS (CHART A)		
0'	5'	10'
3.36	2.73	1.63

ENERGY SAVINGS

LED		HID			ANNUAL SAVINGS
WATTAGE	ANNUAL COST	SOURCE WATTAGE	TOTAL WATTAGE USED	ANNUAL COST	
13	\$6	50	72	\$52	\$46
13	\$6	70	90	\$59	\$53

MOUNTING DETAIL



Trunnion
To Order Add Suffix T