



CATALOG NUMBER:	
JOB NAME:	
CUSTOMER NAME:	
NOTES:	TYPE:
	DATE:

FEATURES AND SPECIFICATIONS

FLUORESCENT INDUSTRIAL LIGHTING

IFS SERIES

6 LAMP T5 | T8 FULL BODIED HIGH BAY

Construction:

Full Bodied 20 Gauge Housing
Provides Protection for Optical Assembly
Post Painted Polyester Coat Finish

Optics:

Miro-4 Reflector
Hinged Optics for Access Without Removal of Lamps or Reflector
Inline Fusing Available

Electrical

T5 or T8 Offering
Suitable for 50° Ambient Operation
Minimal Start Temperature -30°C
Quick Wire Access Panel
THD less than 20%
Lamps and Ballasts are CEE Compliant
T8 Ballast Factor = 1.18
T5 Ballast Factor = 1.0

Mounting

Options Include:
Chain, Cable, Toggle or Pendant Mounting

Specifications:

Overall height: 3.875" (9.84 cm)
Width: 18.74" (47.59 cm)
Length: 48.25" (122.55 cm)
Weight: 21 lbs / 9.52 kg

Fixture Efficiency >90%

Warranty:

Atlas Lighting Products provides a 3 year limited warranty for this product.
A full warranty can be found at www.alpinc.com



Miro-4 ≥ 95% Reflectance High Efficiency White ≥ 91% Reflective

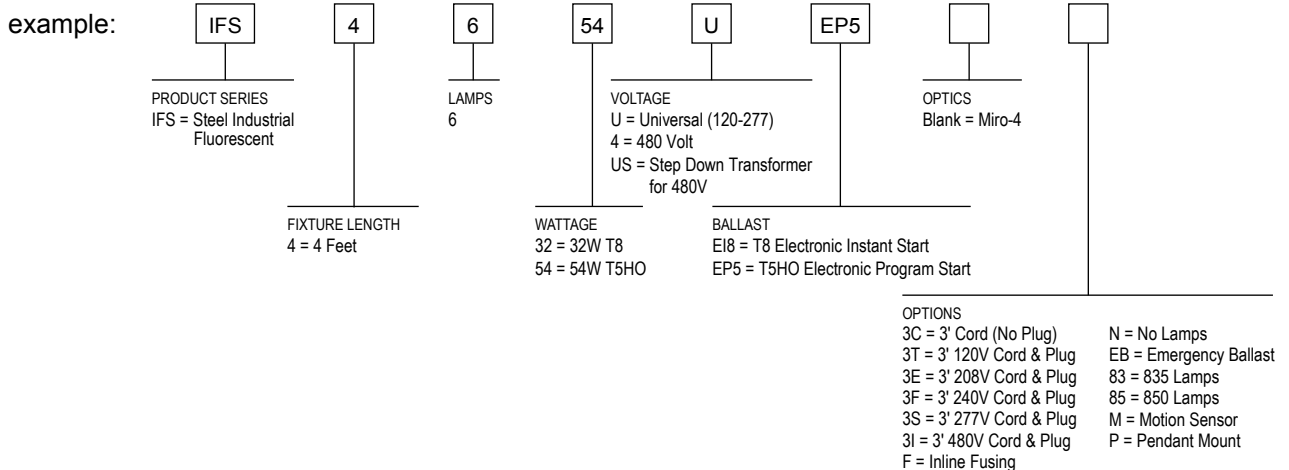


ACCESSORIES

CH36	Chain Set
CH36HFC	Chain Set w/ Hammer-On Flange Clip
CA36	Cable Set
280-255-S	Tandem Mounting Kit
PMK	Pendant Mount Kit
MS360	360° Motion Sensor
WG36	Wireguard for 6 Lamp Units
LFP36-125	Prismatic Lens for 6 Lamp Units
LFC36-125	Clear Lens for 6 Lamp Units

ORDERING INFORMATION

Order accessories as separate catalog numbers (shipped separately).



Actual performance can vary depending on operating conditions. Specifications are subject to change without notice

ATLAS LIGHTING PRODUCTS, INC.

PO BOX 2348 | BURLINGTON, NC 27216

800-849-8485 | FAX: 336-227-0110 | www.atlaslightingproducts.com



FLUORESCENT INDUSTRIAL LIGHTING
IFS SERIES
6 LAMP T5 | T8 FULL BODIED HIGH BAY

FLUORESCENT HIGH BAY

DIMENSIONS

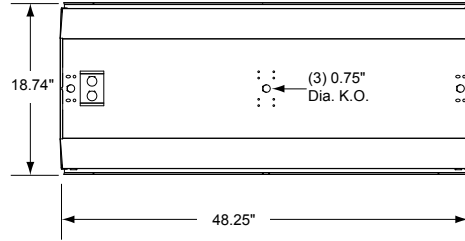
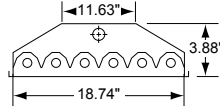
Specifications:

Overall height:
3.875" (9.84 cm)

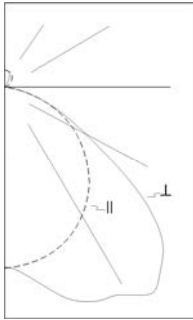
Width:
18.74" (47.59 cm)

Length:
48.25" (122.55 cm)

Weight:
21 lbs / 9.52 kg

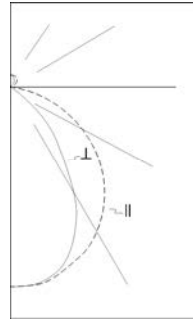


PHOTOMETRICS



IFS4632W
 (2) Electronic Ballasts
 (6) F32T8/741 32W lamps
 2800 lumens
 Spacing Criteria:
 (0 - 180) 1.28
 (90 - 270) 1.34
 (Diagonal) 1.46
 Efficiency 90.6%
 Test Report:
 IFS4632W.IES
 LER = 90
 Yearly Cost of 1000 lumens, 3000 hrs at .08 KWH = \$2.90

Candela				
Angle	Along II	45°	Across L	
0	5349	5349	5349	
5	5366	5333	5310	
10	5306	5279	5266	
15	5199	5189	5189	
20	5050	5055	5077	
25	4854	4880	4924	
30	4623	4671	4756	
35	4359	4434	4597	
40	4065	4176	4409	
45	3744	3925	4144	
50	3393	3635	3801	
55	3018	3290	3397	
60	2636	2856	2995	
65	2241	2396	2555	
70	1804	1949	2090	
75	1287	1469	1622	
80	829	992	1077	
85	390	458	441	
90	0	0	0	



IFS4654UEP5
 (2) Electronic Ballasts
 (6) F54T5/841HO 54W T5 lamps
 4500 lumens
 Spacing Criteria:
 (0 - 180) 1.26
 (90 - 270) 1.10
 (Diagonal) 1.24
 Efficiency 92.4%
 Test Report:
 IFS4654.IES
 LER = 87
 Yearly Cost of 1000 lumens, 3000 hrs at .08 KWH = \$3.54

Candela				
Angle	Along II	45°	Across L	
0	13382	13382	13382	
5	13516	13694	13817	
10	14050	14310	14448	
15	13995	14378	14625	
20	13447	14119	13187	
25	13037	13023	11270	
30	12475	11174	9284	
35	11585	9435	8175	
40	10298	7860	6697	
45	9065	6915	5450	
50	7271	5436	4039	
55	5669	4135	3354	
60	4259	2834	3163	
65	3040	2355	2560	
70	1917	1999	1779	
75	1177	1260	821	
80	698	466	246	
85	163	123	137	
90	27	27	27	

Coefficients of Utilization

rc	Effective Floor Cavity Reflectance 0.20																				
	80%				70%				50%				30%				10%				0%
	70	50	30	10	70	50	30	10	50	30	10	50	30	10	50	30	10	0			
RCR	70	50	30	10	70	50	30	10	50	30	10	50	30	10	50	30	10	0			
0	122	122	122	122	119	119	119	119	114	114	114	109	109	109	105	105	105	103			
1	111	105	101	96	108	103	99	95	99	95	92	95	92	89	91	88	86	84			
2	100	91	84	77	97	89	82	76	85	80	75	82	77	73	79	75	71	69			
3	91	79	70	63	88	78	69	63	75	68	62	72	66	61	69	64	60	57			
4	83	70	60	53	80	69	60	53	66	58	52	63	57	51	61	55	51	48			
5	76	62	53	45	74	61	52	45	59	51	45	57	50	44	55	49	44	41			
6	70	56	46	39	68	55	46	39	53	45	39	51	44	38	49	43	38	36			
7	65	50	41	35	63	50	41	34	48	40	34	46	39	34	45	39	34	32			
8	60	46	37	31	59	45	37	31	44	36	30	43	35	30	41	35	30	28			
9	56	42	33	28	55	41	33	27	40	33	27	39	32	27	38	32	27	25			
10	53	39	30	25	51	38	30	25	37	30	25	36	29	25	35	29	24	23			

Zonal Lumen Summary

Zone	Lumens	%Lamp	%Fixture
0-30	4222.61	25.1	24.5
0-40	7007.06	41.7	40.6
0-60	12903.12	76.8	74.8
0-90	17253.8	102.7	100
0-180	17253.8	102.7	100

Coefficients of Utilization

rc	Effective Floor Cavity Reflectance 0.20																				
	80%				70%				50%				30%				10%				0%
	70	50	30	10	70	50	30	10	50	30	10	50	30	10	50	30	10	0			
CR	70	50	30	10	70	50	30	10	50	30	10	50	30	10	50	30	10	0			
0	123	123	123	123	120	120	120	120	115	115	115	110	110	110	105	105	105	103			
1	114	109	106	102	111	107	104	100	103	100	97	99	97	94	95	93	92	90			
2	105	97	91	86	102	95	89	84	92	87	83	88	84	81	85	82	79	77			
3	96	86	79	73	94	85	78	72	82	76	71	79	74	70	77	72	69	66			
4	89	77	69	63	87	76	68	62	74	67	62	71	66	61	69	64	60	58			
5	82	70	61	55	80	69	61	55	67	60	54	65	59	54	63	57	53	51			
6	76	64	55	49	74	63	54	49	61	54	48	59	53	48	58	52	47	45			
7	71	58	50	44	69	57	49	43	56	48	43	54	48	43	53	47	43	41			
8	66	53	45	39	65	53	45	39	51	44	39	50	44	39	49	43	39	37			
9	62	49	41	36	61	49	41	36	47	40	35	46	40	35	45	39	35	33			
10	58	46	38	33	57	45	38	33	44	37	32	43	37	32	42	36	32	30			

Zonal Lumen Summary

Zone	Lumens	%Lamp	%Fixture
0-30	10974	36.6	35.5
0-40	17024.94	56.7	55
0-60	26641.21	88.8	86.1
0-90	30950.61	103.2	100
0-180	30950.61	103.2	100

Actual performance can vary depending on operating conditions. Specifications are subject to change without notice.

ATLAS LIGHTING PRODUCTS, INC.

PO BOX 2348 | BURLINGTON, NC 27216

800-849-8485 | FAX: 336-227-0110 | www.atlaslightingproducts.com