



Wall Light

WL20LED 20 Watt LED Wall Light



SPECIFICATIONS:

	WL20LED3K	WL20LED4K	WL20LED	WL20LED5K
Lumens:	1,696	1,696	1,788	1,788
Watts:	19.47	19.47	19.45	19.45
Lumens/Watt:	87.1	87.1	91.92	91.92
CRI:	83	83	84	84
CCT:	3000	4000	4500	5000
Lifespan:	200,000+ hrs. ¹	200,000+ hrs. ¹	200,000+ hrs. ¹	200,000+ hrs. ¹

Construction:

Traditional polycarbonate housing provides proven environmental protection for LED modules. Traditional fixture designs provide a familiar look and standard installation requirements. Retaining this look allows the ability to upgrade fixtures gradually, while retaining the same overall fixture appearance throughout a facility.

Glare Free:

Positioning of the LED modules within the housing result in light directed to desired locations and eliminates offensive light.

Lens:

Lens assembly is designed to provide high efficiency and to target the light where needed to satisfy outdoor lighting requirements. Positioning of the LEDs (along with Patent Pending thermal management system) results in the light being directed to desired locations eliminating glare and offensive light.

Thermal Management:

Atlas' Patent Pending exclusive Thermal Stacking Technology System™ features a unique internal design that allows for lower operating temperatures which results in a brighter, whiter light, more stable color and longer LED and driver life.

Listings:

Luminaire is certified to UL/cUL Standards for Wet Locations.

AC Input:

120/208/240/277 V

Driver:

Constant current, Class 2, 120-277 VAC, 50-60 Hz
High Efficiency – min. 84%
Off-State Power: 0 Watts
0-10 V Dimming

LEDs:

3000K, 4000K, 4500K, 5000K CCT
Epoxy Guard™ protective conformal coated boards
Atlas LEDs provide higher lumen output, greater energy efficiency and more reliable fixture performance. They are tested and binned at 700mA which is the actual operating current used in Atlas LED luminaires, giving a better representation of actual performance.

Warranty: Five-year limited warranty

Testing:

Atlas LED luminaires have been tested by an independent laboratory in accordance with IESNA LM-79 & LM-80.

Installation:

Fixture retains the same knock-out sizes and positions as previous models, reducing wiring costs.

Weight: 6.6 lbs.

Photo Control:

For factory installed 120V button photo control add suffix PC to part number. For factory installed 208-277V photo control add PM to part number.

Project Information

Job Name

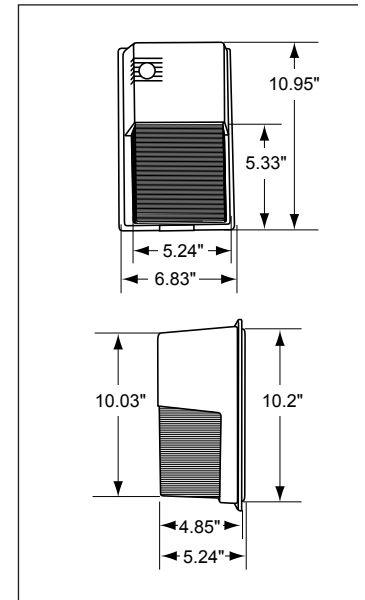
Fixture Type 20 Watt LED Wall Light

Catalog Number WL20LED

Approved by



DIMENSIONS:



¹LED Life Span Based Upon LM-80 Test Results

ATLAS LIGHTING PRODUCTS, INC.

PO BOX 2348 | BURLINGTON, NC 27216
800-849-8485 | FAX: 1-855-847-2794 | www.atlasled.com

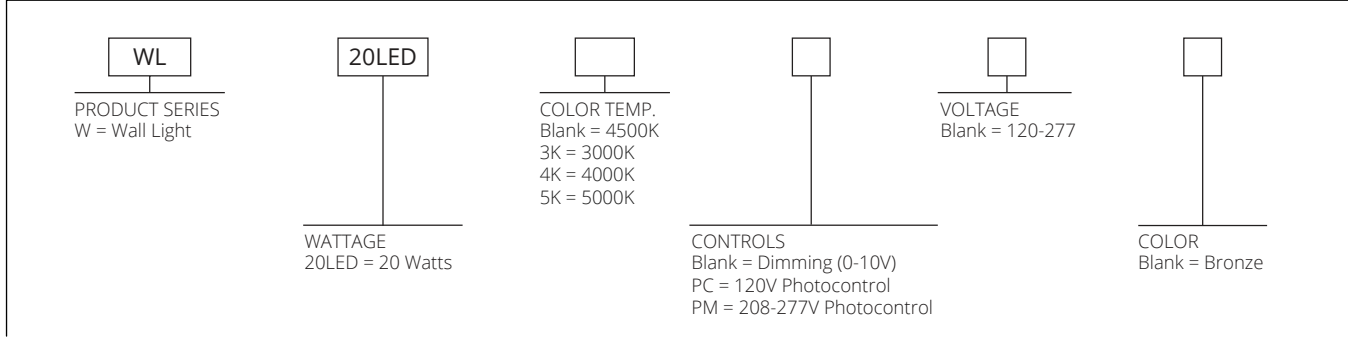
*The majority of Atlas Lighting Products are assembled in USA facilities by an American Workforce utilizing both Domestic and Foreign components. Meets Buy American requirements within the ARRA.



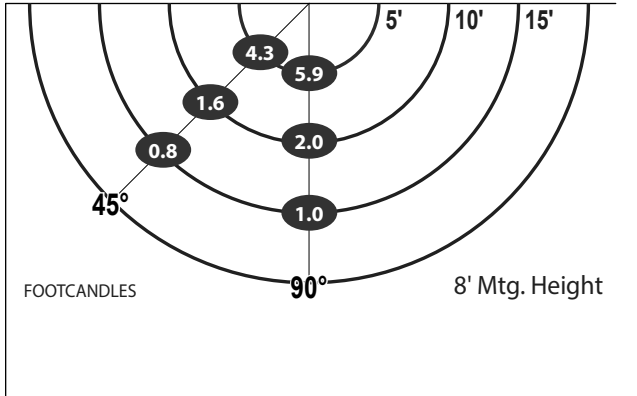
Wall Light

WL20LED 20 Watt LED Wall Light

ORDERING FORMAT



PHOTOMETRIC



ENERGY SAVINGS

LED		HID			ANNUAL SAVINGS
WATTAGE	ANNUAL COST	SOURCE WATTAGE	TOTAL WATTAGE USED	ANNUAL COST	
20	\$9	50	72	\$52	\$43
20	\$9	70	90	\$59	\$50
20	\$9	100	129	\$77	\$68

ATLAS LIGHTING PRODUCTS, INC.

PO BOX 2348 | BURLINGTON, NC 27216
800-849-8485 | FAX: 1-855-847-2794 | www.atlasled.com

The majority of Atlas Lighting Products are assembled in USA facilities by an American Workforce utilizing both Domestic and Foreign components. Meets Buy American requirements within the ARRA.