



Wall Light

WLMFC43LED 43 Watt LED Wall Light



SPECIFICATIONS:

| | WLMFC43LED3K | WLMFC43LED4K | WLMFC43LED | WLMFC43LED5K |
|----------------------|--------------|--------------|------------|--------------|
| Lumens: | 5,151 | 5,151 | 5,366 | 5,366 |
| Watts: | 41.13 | 41.13 | 41.20 | 41.20 |
| Lumens/Watt: | 125.2 | 125.2 | 130.2 | 130.2 |
| CRI: | 81 | 81 | 81.9 | 81.9 |
| CCT: | 3104 | 4000 | 4602 | 5000 |
| DLC Prod. ID: | PUQ52AYH | N/A | P0000053L | N/A |

Construction:

Rugged Traditional aluminum die cast housing provides proven environmental protection for LED modules. Traditional fixture design provides a familiar look and standard installation requirements. Retaining this look allows the ability to upgrade fixtures gradually, while retaining the same overall fixture appearance throughout a facility.

Glare Free:

Positioning of the LED modules within the housing result in light directed to desired locations and eliminates offensive light.

Thermal Management:

Atlas' Patent Pending exclusive Thermal Management System™ features a unique internal design that allows for lower operating temperatures which results in a brighter, whiter light, more stable color and longer LED and driver life.

Listings:

Luminaire is certified to UL/cUL Standards for Wet Locations DesignLights Consortium Premium qualified luminaire, eligible for rebates from DLC member utilities.

AC Input:

120/208/240/277 V

Driver:

Constant current, Class 2, 120-277 VAC, 50-60 Hz
High Efficiency – min. 88%
Off-State Power: 0 Watts
0-10 V Dimming

LEDs:

3000K, 4000K, 4500K, 5000K CCT
Epoxy Guard™ protective conformal coated boards
Atlas LEDs provide higher lumen output, greater energy efficiency and more reliable fixture performance.

Warranty:

Atlas Lighting Products provides a 5 year limited warranty for this product. A full warranty can be found at www.alpinc.com.

Testing:

Atlas LED luminaires have been tested by an independent laboratory in accordance with IESNA LM-79 & LM-80.

Installation:

Fixture retains the same knock-out sizes and positions as previous models, reducing wiring costs.

Photo Control:

For factory installed 120V button photo control add suffix PC to part number.

Emergency Back-up:

For factory installed Emergency Back-Up add suffix EB to part number.

480 Volt:

For 480V add suffix 4 to part number.

Project Information

Job Name

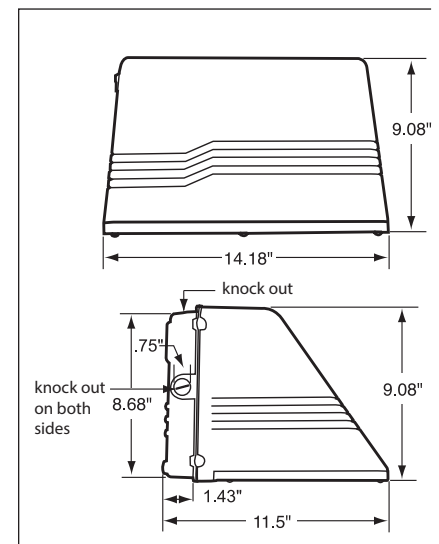
Fixture Type 43 Watt LED Medium Wall Light

Catalog Number WLMFC43LED

Approved by



DIMENSIONS:



¹LED Life Span Based Upon LM-80 Test Results

Rebates and Incentives are available in many areas. Contact an Atlas Representative for more information.

ATLAS LIGHTING PRODUCTS, INC.

PO BOX 2348 | BURLINGTON, NC 27216
800-849-8485 | FAX: 1-855-847-2794 | www.atlasled.com

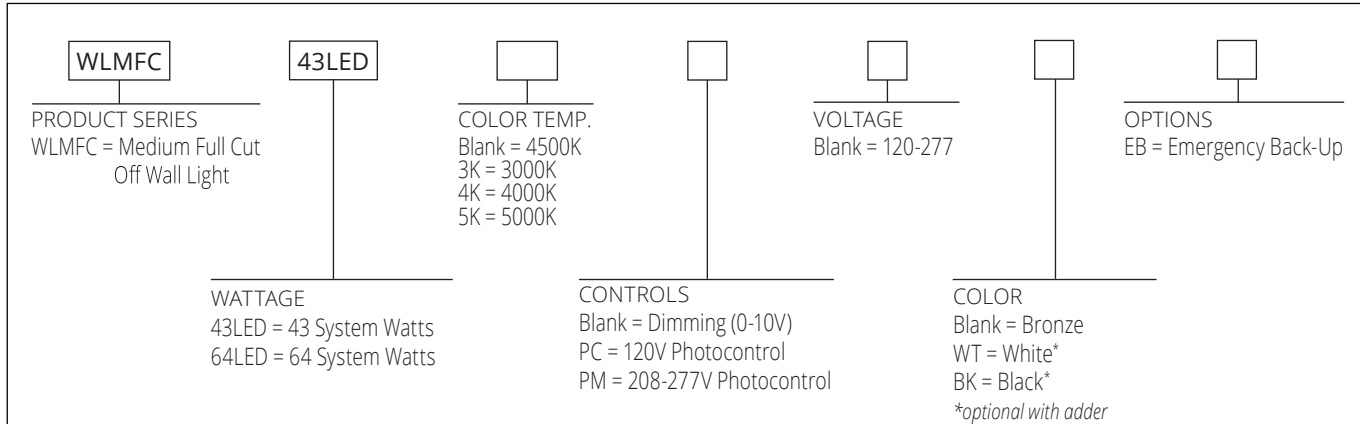
*The majority of Atlas Lighting Products are assembled in USA facilities by an American Workforce utilizing both Domestic and Foreign components. Meets Buy American requirements within the ARRA.



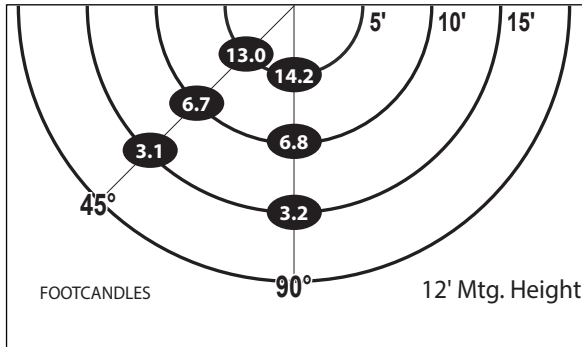
Wall Light

WLMFC43LED 43 Watt LED Medium Wall Light

ORDERING FORMAT



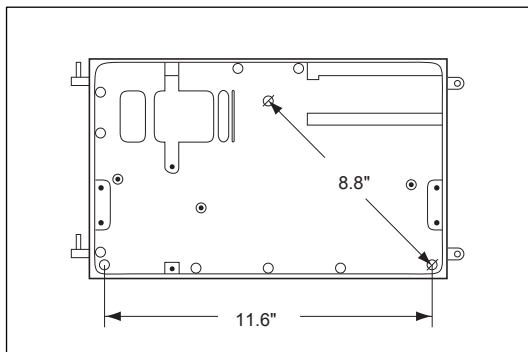
PHOTOMETRIC



ENERGY SAVINGS

| LED | | HID | | | ANNUAL SAVINGS |
|---------|-------------|----------------|--------------------|-------------|----------------|
| WATTAGE | ANNUAL COST | SOURCE WATTAGE | TOTAL WATTAGE USED | ANNUAL COST | |
| 43 | \$19 | 100 | 129 | \$77 | \$58 |
| 43 | \$19 | 150 | 185 | \$100 | \$81 |
| 43 | \$19 | 175 | 210 | \$112 | \$93 |

MOUNTING DETAIL



ATLAS LIGHTING PRODUCTS, INC.

PO BOX 2348 | BURLINGTON, NC 27216
800-849-8485 | FAX: 1-855-847-2794 | www.atlasled.com

The majority of Atlas Lighting Products are assembled in USA facilities by an American Workforce utilizing both Domestic and Foreign components. Meets Buy American requirements within the ARRA.