



SlimPak Pro

WSPL60LED 60 Watt LED SlimPak



3000K or warmer CCTs only

Project Information

Job Name

Fixture Type 60 Watt LED Die Cast SlimPak

Catalog Number WSPL60LED

Approved by

SPECIFICATIONS:

	WSPL60LED3K	WSPL60LED4K	WSPL60LED	WSPL60LED5K
Lumens:	6513	6513	6635	7401
Watts:	58.19	58.19	58.66	57.78
Lumens/Watt:	111.93	111.93	113.11	128.08
CRI:	82.7	71.1	75.2	71.1
CCT:	2940	4000	4589	4892
DLC Prod. ID:	PHYWFBE1	PBD2RV0T	PUX6TFU8	PF4912ZF

Construction:

Designed for commercial and industrial applications, providing cooler operating temperatures, brighter light and longer LED life. Apertures for field or factory installed photocontrol. Hinged at bottom to prevent leakage.

Installation:

Labor saving features including bubble level and removable hinged face frame.

Zero Glare:

The fixture design directs more light down and forward without wasting lumens and offensive light.

Thermal Management:

Atlas SlimPak Pro fixtures are designed as a complete system to optimize LED life and light output. The Patent Pending thermal stacking heat removal technology extracts heat from within the housing moving it away from LEDs and components. The lower temperatures result in long LED life (200,000+ hrs¹) and component life and also allows for higher light output.

Listings:

Luminaire is certified to UL/cUL Standards for Wet Locations DesignLights Consortium qualified luminaire, eligible for rebates from DLC member utilities. IDA Listed (3000K or warmer CCTs only)

AC Input:

120/208/240/277 V

Driver:

Constant current, Non-Class 2, 120-277 VAC, 50-60 Hz
High Efficiency – min. 88%
Off-State Power: 0 Watts
0-10 V Dimming

LEDs:

3000K | 4000K | 4500K | 5000K CCT

Testing:

Atlas LED luminaires have been tested by an independent laboratory in accordance with IESNA LM-79 & LM-80.

Warranty: Five-year limited warranty

Photo Control:

For factory installed 120V button photo control add suffix PC to part number. Atlas uses only premium LED compatible photocontrols.

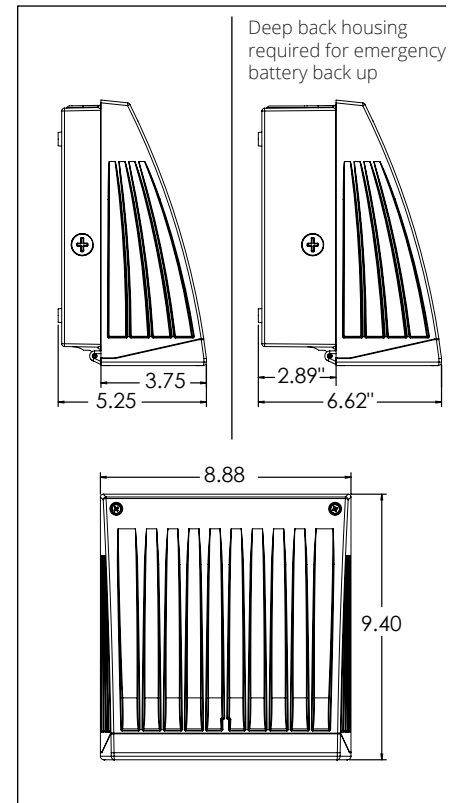
Emergency Battery Back Up:

Add suffix EB for Emergency Battery Back Up. Provides emergency illumination (1,580 lumens) for a minimum of 90 minutes. Requires deep back housing.

480 Volt: For 480V add suffix 4 to part number.



DIMENSIONS:



¹LED Life Span Based Upon LM-80 Test Results

Rebates and Incentives are available in many areas. Contact an Atlas Representative for more information.

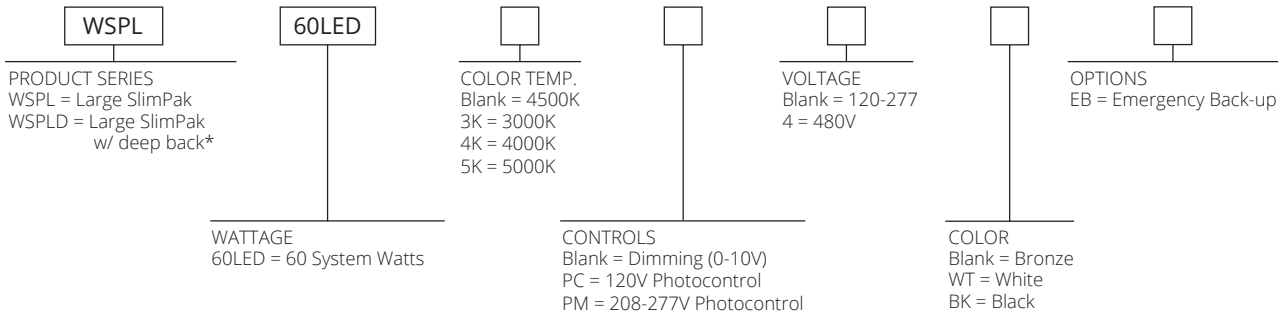
ATLAS LIGHTING PRODUCTS, INC.

PO BOX 2348 | BURLINGTON, NC 27216
800-849-8485 | FAX: 1-855-847-2794 | www.atlasled.com

*The majority of Atlas Lighting Products are assembled in USA facilities by an American Workforce utilizing both Domestic and Foreign components. Meets Buy American requirements within the ARRA.



ORDERING FORMAT



*For emergency backup only

PHOTOMETRIC

