



CATALOG NUMBER: 80-271CMB	
JOB NAME:	
CUSTOMER NAME:	
NOTES:	TYPE:
	DATE:

**FEATURES AND SPECIFICATIONS**

**INDUSTRIAL LIGHTING  
ACCESSORIES  
IFW | ILW WIDE BODY CEILING MOUNT BRACKET**

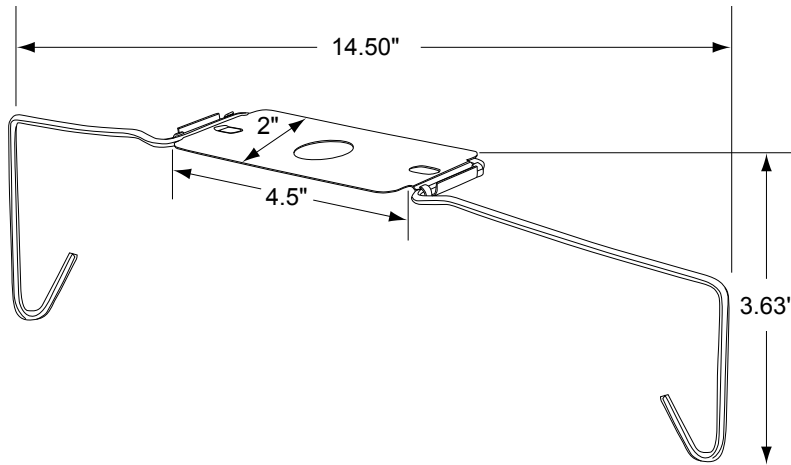
**Construction:**  
Stainless steel hanger

**Mounting:**  
Pre-drilled holes in fixture housing

**Specifications:**  
Length: 14.5" (36.83 cm)



**DIMENSIONS**



**ORDERING INFORMATION**

Catalog #	Description	Std. Pkg.
80-271CMB	Ceiling Mount Bracket	2

Actual performance can vary depending on operating conditions. Specifications are subject to change without notice.