



Canopy Light

CPM60LED 60 Watt LED Low Profile Canopy Light



3000K or warmer CCTs only

SPECIFICATIONS:

| | CPM60LED3K | CPM60LED4K | CPM60LED | CPM60LED5K |
|----------------------|------------|------------|----------|------------|
| Lumens: | 7680 | 7680 | 7514 | 7788 |
| Watts: | 60.33 | 60.33 | 59.13 | 60.32 |
| Lumens/Watt: | 127.30 | 127.30 | 127.07 | 129.11 |
| CRI: | 82.5 | 82.5 | 82.4 | 83.3 |
| CCT: | 3112K | 4000K | 4424K | 5026K |
| DLC Prod. ID: | PNF664B9 | PY67DGTX | P6G0W093 | P2WB92ZC |

Construction:

Designed for commercial and industrial applications, providing cooler operating temperatures, brighter light and longer LED life. Apertures for continuous wiring. Housing is hinged for quick and easy mounting and entrance.

Zero Glare:

Using the latest high brightness, high LED count technology, more usable light output is produced while eliminating glare. The high transmission lens, with 91% efficiency, is high impact, scratch resistant and protects the LEDs. At the same time, it delivers improved visual comfort by eliminating any glare and providing a wider smoother and more uniform light output.

Thermal Management:

The Atlas Low Profile Canopy Light is designed as a complete system to optimize LED life and light output. The Patent Pending thermal stacking heat removal technology extracts heat from within the housing moving it away from LEDs and components. The lower temperatures result in long LED life (200,000+ hrs) and component life and also allows for higher light output.

Listings:

Luminaire is certified to UL/cUL Standards for Wet Locations
IDA Listed (3000K or warmer CCTs only)
DesignLights Consortium Premium qualified luminaire, eligible for rebates from DLC member utilities.

AC Input:

120/208/280/277 V

Driver:

Constant current, Class 2 120-277 VAC, 47-63Hz
High Efficiency – min. 85%
Off-State Power: 0 Watts
Dimming 0-10V

LEDs:

3000K | 4000K | 4500K | 5000K CCT

Epoxy Guard™ protective conformal coated boards

Atlas LEDs provide higher lumen output, greater energy efficiency and more reliable fixture performance. They are tested and binned at 700mA which is the actual operating current used in Atlas LED luminaires, giving a better representation of actual performance.

Temperatures:

Min Start: -35°C Max: 50°C

Warranty:

Five-year limited warranty

Testing:

Atlas LED luminaires have been tested by an independent laboratory in accordance with IESNA LM-79 & LM-80.

480 Volt: For 480V add suffix 4 to part number.

Weight: 10.0 lbs.

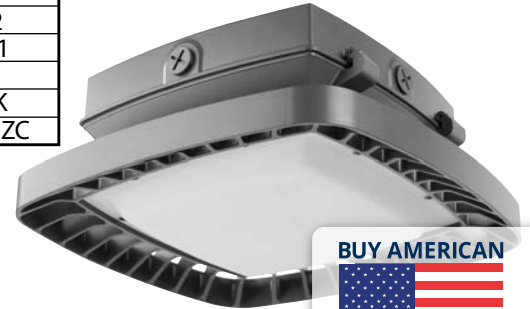
Project Information

Job Name

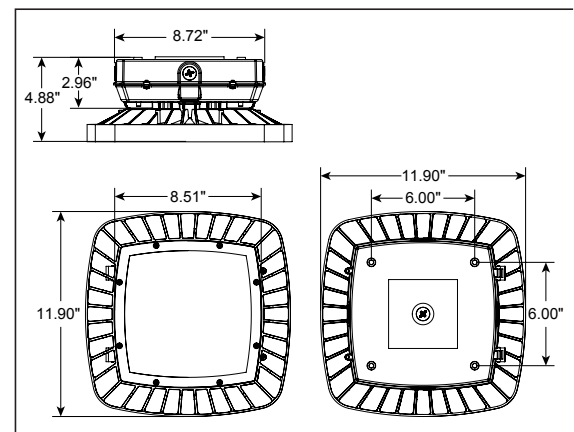
Fixture Type 60 Watt LED Low Profile Canopy Light

Catalog Number CPM60LED

Approved by



DIMENSIONS:



¹LED Life Span Based Upon LM-80 Test Results

ATLAS LIGHTING PRODUCTS, INC.

PO BOX 2348 | BURLINGTON, NC 27216
800-849-8485 | FAX: 1-855-847-2794 | www.atlasled.com

*The majority of Atlas Lighting Products are assembled in USA facilities by an American Workforce utilizing both Domestic and Foreign components. Meets Buy American requirements within the ARRA.

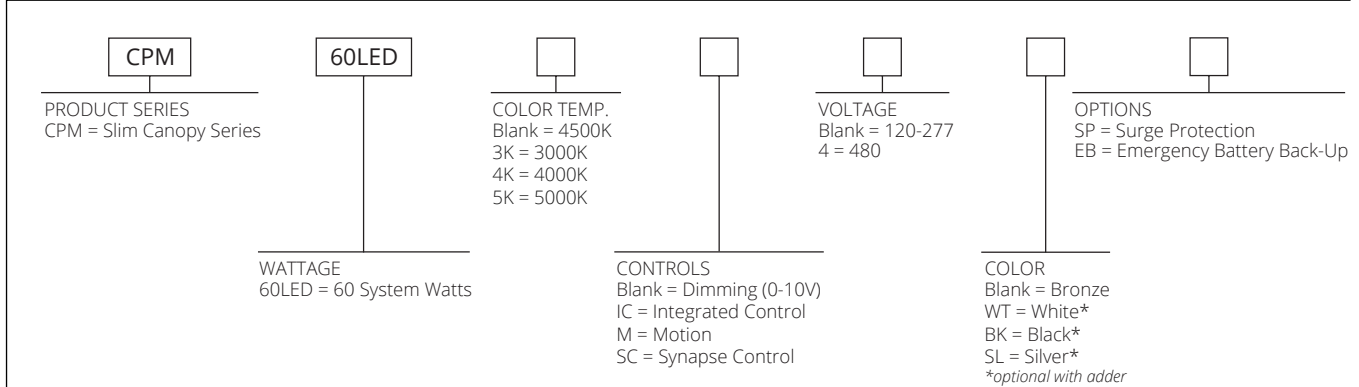
Rebates and Incentives are available in many areas. Contact an Atlas Representative for more information.



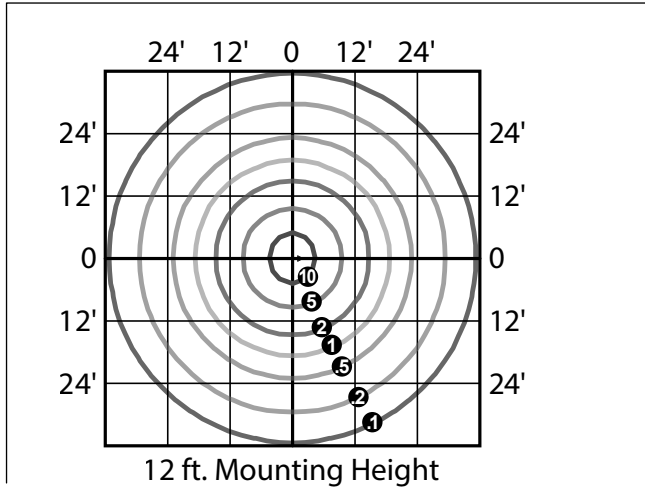
Canopy Light

CPM60LED 60 Watt LED Canopy Light

ORDERING FORMAT



PHOTOMETRIC



MOUNTING DETAIL

