



Wet Location

ILW76LED2WD Wide Body 2FT Industrial LED



Project Information

Job Name

Fixture Type Industrial LED Wet Location

Catalog Number ILW76LED2WD

Approved by

SPECIFICATIONS:

	ILW76LED2WD4K	ILW76LED2WD	ILW76LED2WD5K
Lumens:	10380	10380	10380
Watts:	69.82	69.82	69.82
Lumens/Watt:	148.66	148.66	148.66
CRI:	80	80	80
CCT:	4000	4500	5000
DLC Prod. ID:	PEDXZI6R	P3AZGIGR	PFGQ9MXW

Construction:

The 1-piece housing is made of durable composite material with 1/2" entry points on both ends. The poured gasket provides a continuous seal for the lens.

Lens:

Injection molded acrylic lens with high impact additive. Lens is ribbed and frosted to eliminate glare.

Listings:

Luminaire is certified to UL/cUL Standards for Wet Locations DesignLights Consortium Premium qualified luminaire, eligible for rebates from DLC member utilities.

AC Input:

120/208/240/277 V

Driver:

Constant current, Class 2 120-277 VAC, 47-63Hz
High Efficiency – min. 85%
Off-State Power: 0 Watts
0-10 V Dimming

LEDs:

Atlas LEDs provide higher lumen output, greater energy efficiency and more reliable fixture performance. LEDs manufactured for the ILW series utilize Epoxy Guard conformal coating which reduces the chance of board corrosion.
200,000+ hrs.¹ lifespan
ILW series fixtures operate at 4000K, 4500K and 5000K CCT.

Temperatures:

Min Start: -35°C Max: 45°C

Ratings:

NEMA4X
NSF
IP65, IP66, IP67 & IP69K
1500 PSI Hose Down

Applications:

Cold storage, garages, refrigerated cases, stairwells, storage areas, fuel pump canopy, low-bay fixtures for commercial & industrial buildings.

Testing:

Atlas LED luminaires have been tested by an independent laboratory in accordance with IESNA LM-79 & LM-80.

Warranty: Five-year limited warranty

Emergency Back-up: For factory installed Emergency Back-Up add suffix EB to part number.

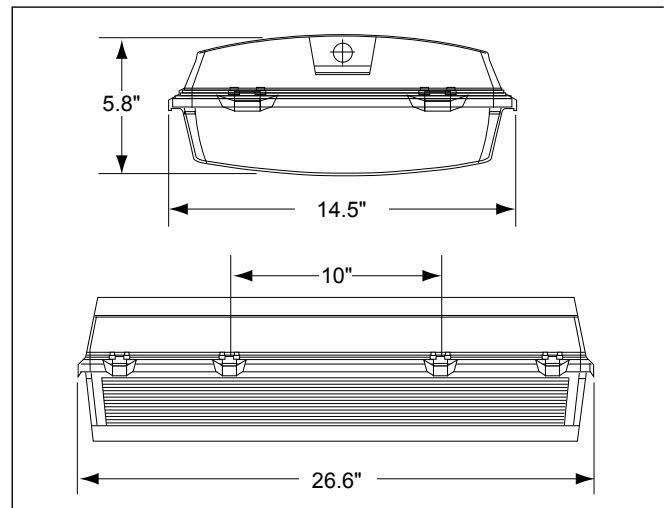
480 Volt: For 480V add suffix 4 to part number.

Options: 3C = 3' Cord, 6C = 6' Cord

¹LED Life Span Based Upon LM-80 Test Results



DIMENSIONS:



Rebates and Incentives are available in many areas. Contact an Atlas Representative for more information.

ATLAS LIGHTING PRODUCTS, INC.

PO BOX 2348 | BURLINGTON, NC 27216
800-849-8485 | FAX: 1-855-847-2794 | www.atlasled.com

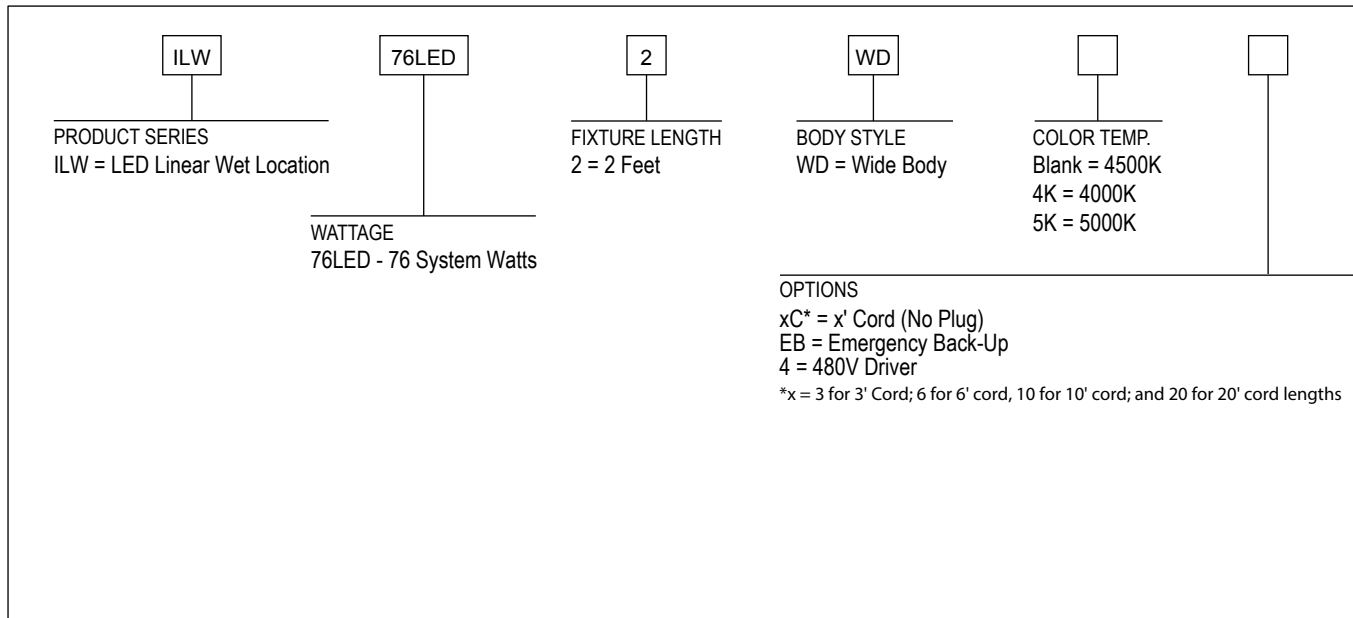
*The majority of Atlas Lighting Products are assembled in USA facilities by an American Workforce utilizing both Domestic and Foreign components. Meets Buy American requirements within the ARRA.



Wet Location

ILW76LED2WD Wide Body 2 FT. Industrial LED

ORDERING FORMAT



IP RATING

	DESCRIPTION	DEFINITION
6	Dust-tight	No ingress of dust
5	Protects against water jets	Water projected from a nozzle against the enclosure from any direction shall have no harmful effect
6	Dust-tight	No ingress of dust
6	Protects against powerful water jets	Water projected in powerful jets against the enclosure from any direction shall have no harmful effect
6	Dust-tight	No ingress of dust
7	Protects against the effects of immersion	Ingress of water in a harmful quantity shall not be possible when the enclosure is immersed in water under defined conditions of pressure & time
6	Dust-tight	No ingress of dust
9K	Protected from steam-jet cleaning	Protected from steam-jet cleaning

ATLAS LIGHTING PRODUCTS, INC.

PO BOX 2348 | BURLINGTON, NC 27216
800-849-8485 | FAX: 1-855-847-2794 | www.atlasled.com

The majority of Atlas Lighting Products are assembled in USA facilities by an American Workforce utilizing both Domestic and Foreign components. Meets Buy American requirements within the ARRA.