



Wet Location

ILW98LED2WD Wide Body 2FT Industrial LED



SPECIFICATIONS:

| | ILW98LED2WD4K | ILW98LED2WD | ILW98LED2WD5K |
|----------------------|---------------|-------------|---------------|
| Lumens: | 13570 | 13570 | 13570 |
| Watts: | 94.82 | 94.82 | 94.82 |
| Lumens/Watt: | 143.11 | 143.11 | 143.11 |
| CRI: | 80 | 80 | 80 |
| CCT: | 4000 | 4500 | 5000 |
| DLC Prod. ID: | PF35FKJ7 | PQ34YX9U | PV9LRZWP |

Construction:

The 1-piece housing is made of durable composite material with 1/2" entry points on both ends. The poured gasket provides a continuous seal for the lens.

Lens:

Injection molded acrylic lens with high impact additive. Lens is ribbed and frosted to eliminate glare.

Listings:

Luminaire is certified to UL/cUL Standards for Wet Locations DesignLights Consortium Premium qualified luminaire, eligible for rebates from DLC member utilities.

AC Input:

120/208/240/277 V

Driver:

Constant current, Class 2 120-277 VAC, 47-63Hz
High Efficiency – min. 85%
Off-State Power: 0 Watts
0-10 V Dimming

LEDs:

Atlas LEDs provide higher lumen output, greater energy efficiency and more reliable fixture performance. LEDs manufactured for the ILW series utilize Epoxy Guard conformal coating which reduces the chance of board corrosion.
200,000+ hrs.¹ lifespan
ILW series fixtures operate at 4000K, 4500K and 5000K CCT.

Temperatures:

Min Start: -35°C Max: 45°C

Ratings:

NEMA4X
NSF
IP65, IP66, IP67 & IP69K
1500 PSI Hose Down

Applications:

Cold storage, garages, refrigerated cases, stairwells, storage areas, fuel pump canopy, low-bay fixtures for commercial & industrial buildings.

Testing:

Atlas LED luminaires have been tested by an independent laboratory in accordance with IESNA LM-79 & LM-80.

Warranty: Five-year limited warranty

Emergency Back-up: For factory installed Emergency Back-Up add suffix EB to part number.

480 Volt: For 480V add suffix 4 to part number.

Options: 3C = 3' Cord, 6C = 6' Cord

¹LED Life Span Based Upon LM-80 Test Results

Project Information

Job Name

Fixture Type Industrial LED Wet Location

Catalog Number ILW98LED2WD

Approved by

IP65 RATED

IP66 RATED

IP67 RATED

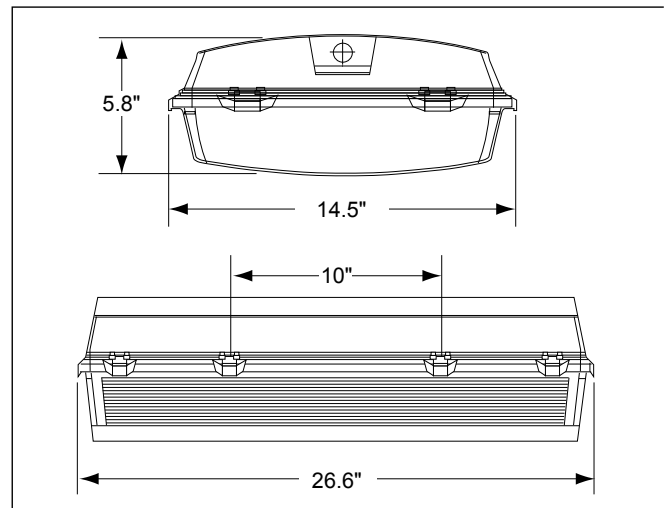
NEMA 4X

NSF

IP69K RATED



DIMENSIONS:



Rebates and Incentives are available in many areas. Contact an Atlas Representative for more information.

ATLAS LIGHTING PRODUCTS, INC.

PO BOX 2348 | BURLINGTON, NC 27216
800-849-8485 | FAX: 1-855-847-2794 | www.atlasled.com

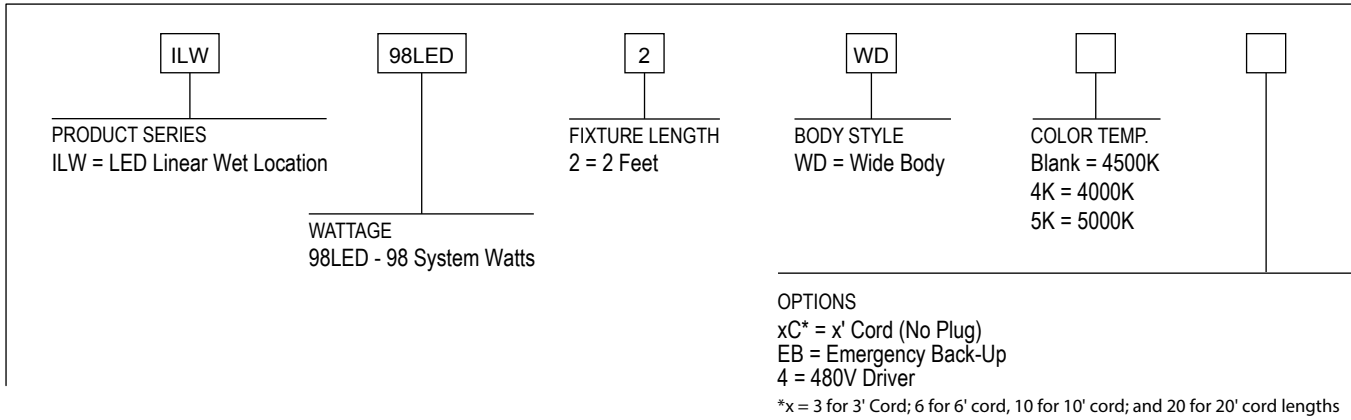
*The majority of Atlas Lighting Products are assembled in USA facilities by an American Workforce utilizing both Domestic and Foreign components. Meets Buy American requirements within the ARRA.



Wet Location

ILW98LED2WD Wide Body 2 FT. Industrial LED

ORDERING FORMAT



IP RATING

| | DESCRIPTION | DEFINITION |
|-----------|---|--|
| 6 | Dust-tight | No ingress of dust |
| 5 | Protects against water jets | Water projected from a nozzle against the enclosure from any direction shall have no harmful effect |
| 6 | Dust-tight | No ingress of dust |
| 6 | Protects against powerful water jets | Water projected in powerful jets against the enclosure from any direction shall have no harmful effect |
| 6 | Dust-tight | No ingress of dust |
| 7 | Protects against the effects of immersion | Ingress of water in a harmful quantity shall not be possible when the enclosure is immersed in water under defined conditions of pressure & time |
| 6 | Dust-tight | No ingress of dust |
| 9K | Protected from steam-jet cleaning | Protected from steam-jet cleaning |

ATLAS LIGHTING PRODUCTS, INC.

PO BOX 2348 | BURLINGTON, NC 27216
800-849-8485 | FAX: 1-855-847-2794 | www.atlasled.com

The majority of Atlas Lighting Products are assembled in USA facilities by an American Workforce utilizing both Domestic and Foreign components. Meets Buy American requirements within the ARRA.