



Dusk to Dawn

DD2G42LED5K 42 Watt LED Dusk to Dawn



SPECIFICATIONS:

Lumens: 4,805
Watts: 39
Lumens/Watt: 123
CRI: 70+
CCT: 5000K
Lifespan: 50,000 hrs.

Construction:

Durable die-cast aluminum housing with powder coated gray finish. The housing is designed for greater heat dissipation which allows for lower operating temperatures which results in a brighter light, more stable color and longer LED and driver life.

Lens:

UV stable polycarbonate lens designed to provide high efficiency, Greater footcandles and a large pattern.

Listings:

Luminaire is certified to UL/cUL Standards for Wet Locations

DesignLights Consortium Premium qualified luminaire, eligible for rebates from DLC member utilities. DLC Product ID: PLEC93ZYBBOT

Driver:

Constant current, Class 2, 120-277 VAC, 50-60 Hz
Off-State Power – 0 Watts
0-10 V Dimming

LEDs:

Atlas LEDs provide higher lumen output, greater energy efficiency and more reliable fixture performance.

DD2G42LED5K operates at 5000K CCT

Delivers 70% or greater of initial lumens at 50,000 hours

Glare Free:

Positioning of the LEDs results in the light being directed to desire locations eliminating glare and offensive light.

Warranty:

Five-year limited warranty

Testing:

Atlas LED luminaires have been tested by an independent laboratory in accordance with IESNA LM-79 & LM-80.

Mounting:

Suitable for pole or wall mount application, 1 5/8" diameter mounting arm. Mounting arm sold separately

Photocontrol:

NEMA 120-277VAC twist lock photocontrol included.

Weight:

5.7 lbs.

Project Information

Job Name

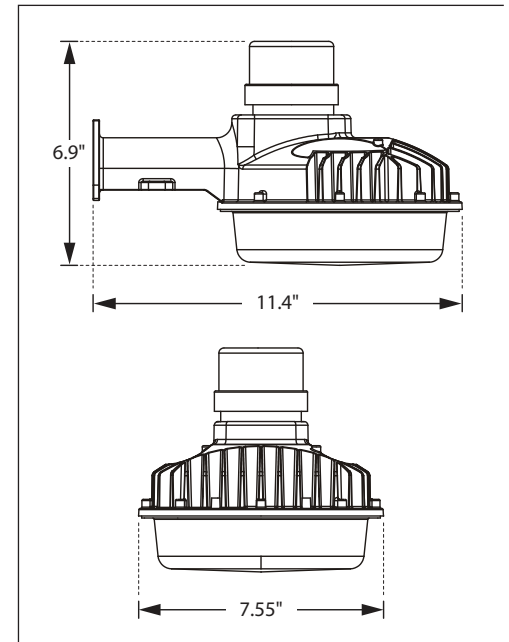
Fixture Type 42 Watt LED Dusk to Dawn

Catalog Number DD2G42LED5K

Approved by



DIMENSIONS:

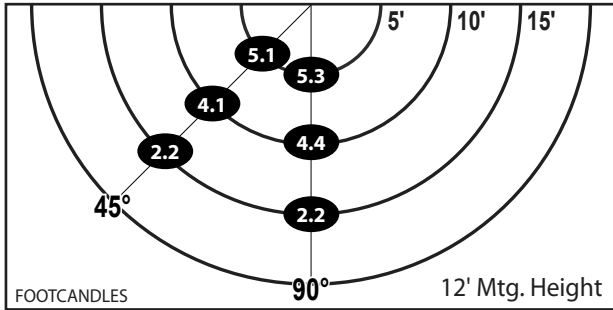


ATLAS LIGHTING PRODUCTS, INC.

PO BOX 2348 | BURLINGTON, NC 27216
800-849-8485 | FAX: 1-855-847-2794 | www.atlasled.com

PHOTOMETRIC

Recommended Mounting Height - 12-14 ft.



FOOTCANDLES ON THE GROUND							
Mtg. Hgt.	90°			45°			Avg. FCs 450 SQ. FT.
	5'	10'	15'	5'	10'	15'	
12'	5.3	4.4	2.2	5.1	4.1	2.2	3.9
14'	3.7	3.6	2.2	3.6	3.4	2.1	3.1