

ILH Series 2 ft Slim Industrial LED with & without Lens



SPECIFICATIONS:

Construction:

The heavy duty construction is made of rigid 20 gauge steel that has a post painted polyester coat finish. The lightweight heat sinks are designed to perform in ambient temperatures up to 50°C. The Quick Wire access panel allows for easy power connection.

Tool-less Snap-on Lens:

The high transmission lens, with 91% efficiency, is high impact, scratch resistant and protects the LEDs. At the same time it delivers improved visual comfort by eliminating any glare and providing a wider smoother and more uniform light output.

Listings:

Luminaire is certified to UL/cUL Standards for Damp Locations DesignLights Consortium Premium qualified luminaire, eligible for rebates from DLC member utilities.

AC Input:

120/208/240/277 V

Driver:

Constant current, Class 2 120-277 VAC, 47-63Hz
High Efficiency – min. 85%
Off-State Power: 0 Watts
Dimming 0-10V

LEDs:

Atlas LEDs provide higher lumen output, greater energy efficiency and more reliable fixture performance. LEDs manufactured for the ILH series utilize Epoxy Guard conformal coating which reduces the chance of board corrosion. ILH series fixtures operate at 4000K, 4500K and 5000K CCT. 200,000+ hrs.¹ lifespan

Temperatures:

Min Start: -35°C Max: 60°C

Warranty:

Five-year limited warranty

Testing:

Atlas LED luminaires have been tested by an independent laboratory in accordance with IESNA LM-79 & LM-80.

Weight:

10 lbs.

Installation:

Suitable for suspension by chain, cable, or single (pendant) monopoint. To maintain ambient listing, mount minimum 6" from ceiling.

Additional Options:

For 480V add suffix 4 to part number.

For factory installed Emergency Back-Up add suffix EB to part number.

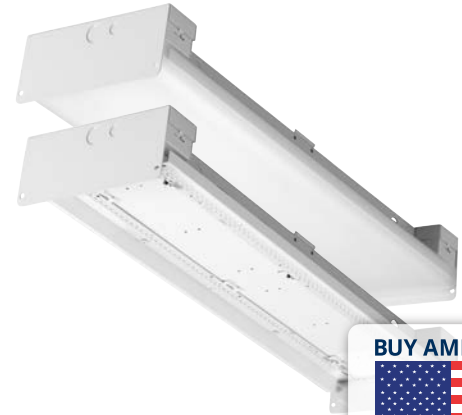
Project Information

Job Name

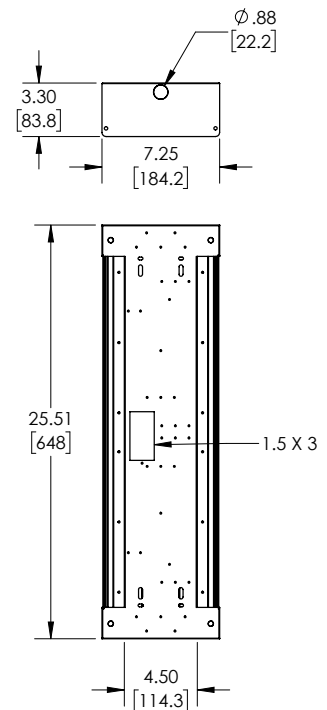
Fixture Type 2 ft Slim Industrial LED

Catalog Number ILHS212L | ILHS212LL

Approved by



DIMENSIONS:



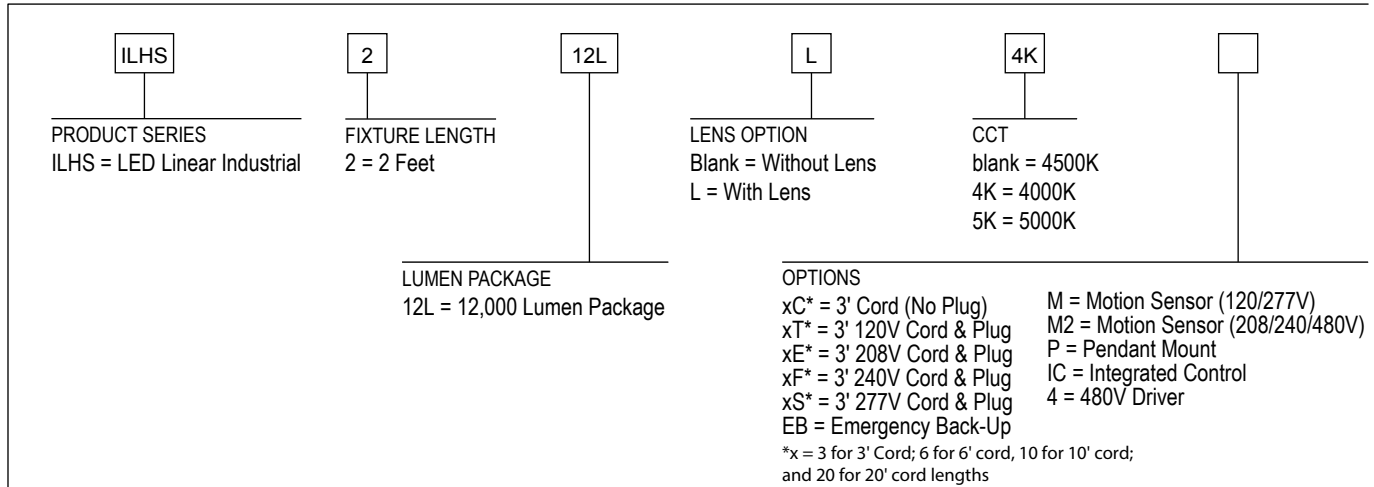
¹LED Life Span Based Upon LM-80 Test Results

Rebates and Incentives are available in many areas. Contact an Atlas Representative for more information.

ATLAS LIGHTING PRODUCTS, INC.

PO BOX 2348 | BURLINGTON, NC 27216
800-849-8485 | FAX: 1-855-847-2794 | www.atlasled.com

*The majority of Atlas Lighting Products are assembled in USA facilities by an American Workforce utilizing both Domestic and Foreign components. Meets Buy American requirements within the ARRA.

ORDERING FORMAT

WITHOUT LENS

	ILHS212L4K	ILHS212L	ILHS212L5K
Lumens:	12421	12303	12503
Watts:	82.5	84.1	82.3
Lumens/Watt:	151	146	151.9
CRI:	80	80	80
CCT:	4000	4500	5000
DLC Prod. ID:	PH2JMC0D	P6COBNJG	PGH2AC70

WITH LENS

	ILHS212LL4K	ILHS212LL	ILHS212LL5K
Lumens:	11580	11485	11580
Watts:	82.5	83.9	82.5
Lumens/Watt:	140	137	140
CRI:	80	80	80
CCT:	4000	4500	5000
DLC Prod. ID:	PB0JG65V	PGSBCC30	P2IW3ECS

¹LED Life Span Based Upon LM-80 Test Results