



Eagle Series

2nd Generation LED Site Lighter



SPECIFICATIONS:

Construction:

Designed for commercial and industrial applications, providing cooler operating temperatures, brighter light and longer LED life. The die cast aluminum housing utilizes external airflow fins allow for greater heat dissipation. The easy access driver compartment is a thermally independent compartment, separate from LED generated heat, for cooler operation and longer driver life.

Optics:

Atlas Site Lighter Pro fixtures utilize precision engineered individual lenses for maximum light intensity. The lens is made of optical grade polycarbonate. Advanced one piece optic board engineered for maximum light intensity. Types II, III, V and Forward Throw distributions are available. Types II, III and Forward Throw optics are rotatable allowing for optimal placement of the fixtures on the perimeter of any layout.

Mounting:

The easy mount bracket makes installation to any style pole quick and easy. Tenon and other mounting accessories also available.

Thermal Management:

Atlas Site Lighter Pro fixtures are designed as a complete system to optimize LED life and light output. The thermal stacking heat removal technology extracts heat from within the housing moving it away from LEDs and components. The lower temperatures result in long LED life (200,000+ hrs¹) and component life and also allows for higher light output.

Listings:

Luminaire is certified to UL/cUL Standards for Wet Locations

AC Input:

120/208/240/277/347/480 V

Driver:

Constant current, 120-277 VAC, 50-60 Hz
High Efficiency – min. 88%
Off-State Power: 0 Watts
0-10 V Dimming

LEDs:

Available in 3000K, 4000K, 4500K and 5000K, CCT
Epoxy Guard™ protective conformal coated boards

Reduced Glare:

Positioning of the LED modules within the housing result in light directed to desired locations and reduces offensive light.

Testing:

Atlas LED luminaires have been tested by an independent laboratory in accordance with IESNA LM-79 & LM-80.

Warranty: Five-year limited warranty

Project Information

Job Name

Fixture Type Eagle Series

Catalog Number SLPM

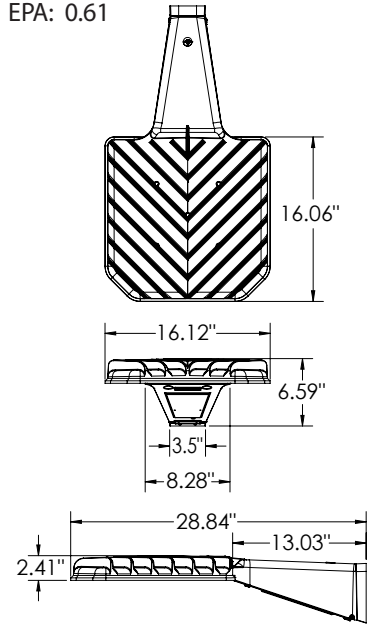
Approved by



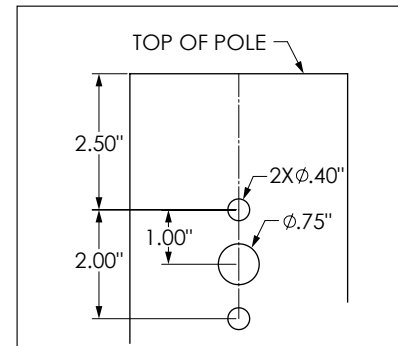
DIMENSIONS:

Weight: 21 lbs.

EPA: 0.61



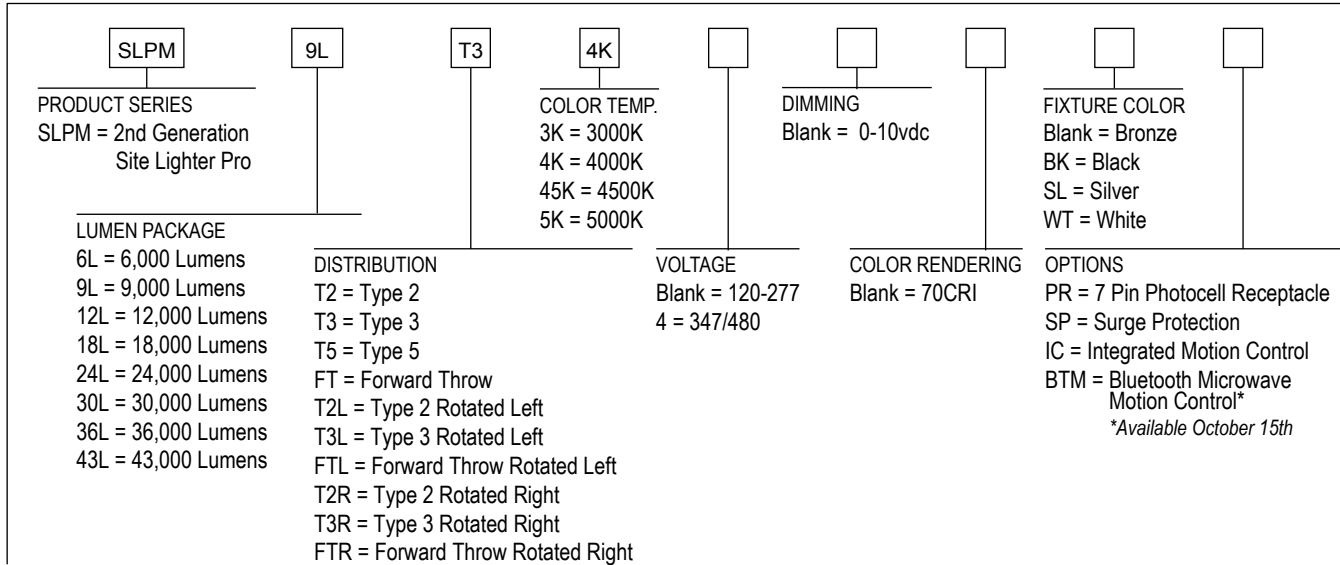
DRILL PATTERN:



¹LED Life Span Based Upon LM-80 Test Results

Rebates and Incentives are available in many areas. Contact an Atlas Representative for more information.

ORDERING INFORMATION



| LUMEN PACKAGE | DISTRIBUTION | CRI | 3000K CCT | | 4000K CCT | | 4500K CCT | | 5000K CCT | | WATTAGE |
|---------------|--------------|-----|------------------|----------------|------------------|----------------|------------------|----------------|------------------|----------------|---------|
| | | | DELIVERED LUMENS | EFFICACY (LPW) | DELIVERED LUMENS | EFFICACY (LPW) | DELIVERED LUMENS | EFFICACY (LPW) | DELIVERED LUMENS | EFFICACY (LPW) | |
| 6L | T2 | 70 | 5908 | 153 | 6067 | 158 | 6093 | 159 | 6152 | 160 | 39 |
| | T3 | 70 | 5824 | 151 | 5981 | 155 | 6006 | 155 | 6065 | 157 | |
| | FT | 70 | 5712 | 148 | 5866 | 152 | 5891 | 153 | 5948 | 154 | |
| | T5 | 70 | 5848 | 152 | 6005 | 156 | 6031 | 156 | 6090 | 158 | |
| 9L | T2 | 70 | 9155 | 159 | 9401 | 163 | 9442 | 164 | 9533 | 166 | 58 |
| | T3 | 70 | 9082 | 158 | 9326 | 162 | 9366 | 163 | 9457 | 164 | |
| | FT | 70 | 8866 | 154 | 9104 | 158 | 9144 | 159 | 9232 | 160 | |
| | T5 | 70 | 9086 | 158 | 9330 | 162 | 9370 | 163 | 9461 | 164 | |
| 12L | T2 | 70 | 12030 | 160 | 12354 | 164 | 12407 | 165 | 12527 | 167 | 75 |
| | T3 | 70 | 11900 | 159 | 12220 | 163 | 12272 | 164 | 12391 | 165 | |
| | FT | 70 | 11670 | 156 | 11984 | 160 | 12035 | 160 | 12152 | 162 | |
| | T5 | 70 | 11950 | 159 | 12271 | 164 | 12324 | 164 | 12444 | 166 | |
| 18L | T2 | 70 | 17840 | 155 | 18320 | 159 | 18398 | 160 | 18577 | 162 | 115 |
| | T3 | 70 | 17810 | 155 | 18289 | 159 | 18367 | 160 | 18546 | 161 | |
| | FT | 70 | 17340 | 151 | 17806 | 155 | 17883 | 156 | 18056 | 157 | |
| | T5 | 70 | 17820 | 155 | 18299 | 159 | 18378 | 160 | 18556 | 161 | |
| 24L | T2 | 70 | 23640 | 148 | 24276 | 152 | 24380 | 153 | 24616 | 154 | 160 |
| | T3 | 70 | 23620 | 148 | 24255 | 152 | 24359 | 153 | 24596 | 154 | |
| | FT | 70 | 23030 | 144 | 23650 | 148 | 23751 | 149 | 23981 | 150 | |
| | T5 | 70 | 23660 | 148 | 24296 | 152 | 24401 | 153 | 24637 | 154 | |
| 30L | T2 | 70 | 29450 | 140 | 30242 | 144 | 30372 | 145 | 30666 | 146 | 210 |
| | T3 | 70 | 29440 | 140 | 30232 | 144 | 30361 | 145 | 30656 | 146 | |
| | FT | 70 | 28750 | 137 | 29523 | 141 | 29650 | 141 | 29937 | 143 | |
| | T5 | 70 | 29470 | 141 | 30263 | 144 | 30392 | 145 | 30687 | 146 | |
| 36L | T2 | 70 | 35260 | 133 | 36208 | 137 | 36364 | 137 | 36716 | 139 | 265 |
| | T3 | 70 | 35220 | 133 | 36167 | 137 | 36322 | 137 | 36675 | 139 | |
| | FT | 70 | 34490 | 131 | 35418 | 134 | 35570 | 135 | 35914 | 136 | |
| | T5 | 70 | 35200 | 133 | 36147 | 137 | 36302 | 137 | 36654 | 139 | |
| 43L | T2 | 70 | 42200 | 121 | 43335 | 124 | 43521 | 125 | 43943 | 126 | 348 |
| | T3 | 70 | 41940 | 120 | 43068 | 124 | 43253 | 124 | 43672 | 125 | |
| | FT | 70 | 41300 | 118 | 42411 | 122 | 42593 | 122 | 43006 | 123 | |
| | T5 | 70 | 41970 | 120 | 43099 | 124 | 43284 | 124 | 43703 | 125 | |