



# Eagle Series

## 2nd Generation LED Area Light



### PROJECT INFORMATION

JOB NAME	
FIXTURE TYPE	Eagle Series
CATALOG NUMBER	SLPM
APPROVED BY	

### SPECIFICATIONS

#### Construction:

Designed for commercial and industrial applications, providing cooler operating temperatures, brighter light and longer LED life. The die cast aluminum housing utilizes external airflow fins allow for greater heat dissipation. The easy access driver compartment is a thermally independent compartment, separate from LED generated heat, for cooler operation and longer driver life.

#### Optics:

Atlas Site Lighter Pro fixtures utilize precision engineered individual lenses for maximum light intensity. The lens is made of optical grade polycarbonate. Advanced one piece optic board engineered for maximum light intensity. Types II, III, V and Forward Throw distributions are available. Types II, III and Forward Throw optics are rotatable allowing for optimal placement of the fixtures on the perimeter of any layout.

#### Mounting:

The easy mount bracket makes installation to any style pole quick and easy. Tenon and other mounting accessories also available. For round poles 500-SLPMRPA is required.

#### Thermal Management:

Atlas Site Lighter Pro fixtures are designed as a complete system to optimize LED life and light output. The thermal stacking heat removal technology extracts heat from within the housing moving it away from LEDs and components. The lower temperatures result in long LED life (200,000+ hrs<sup>1</sup>) and component life and also allows for higher light output.

#### Listings:

Luminaire is certified to UL/cUL Standards for Wet Locations <sup>2</sup>DesignLights Consortium qualified fixtures vary by lumen output and color temperature. [Click here](#) for a detailed list and DLC product ID numbers. All DLC qualified fixtures are eligible for rebates from DLC member utilities.

**AC Input:** 120/208/240/277/347/480 V

#### Driver:

Constant current, 120-277 VAC, 50-60 Hz  
 High Efficiency – min. 88%  
 O-State Power: 0 Watts  
 0-10 V Dimming

#### LEDs:

Available in 3000K, 4000K, 4500K and 5000K, CCT  
 Epoxy Guard™ protective conformal coated boards

#### Reduced Glare:

Positioning of the LED modules within the housing result in light directed to desired locations and reduces offensive light.

#### Testing:

Atlas LED luminaires have been tested by an independent laboratory in accordance with IESNA LM-79 & LM-80.

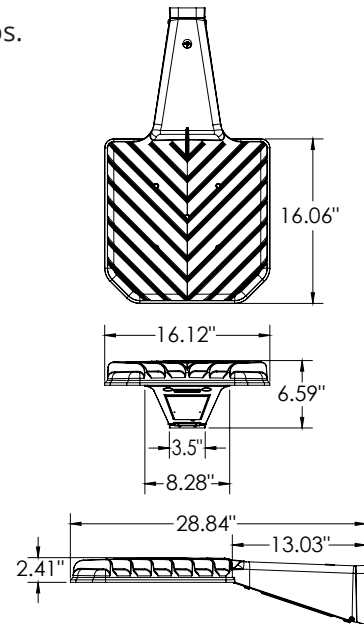
**Warranty:** Five-year limited warranty



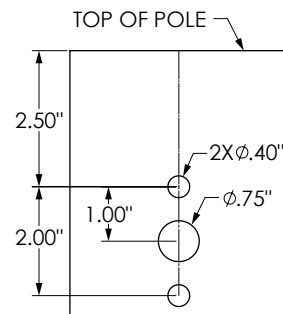
3000K or warmer CCTs only

### DIMENSIONS

Weight: 21 lbs.  
 EPA: 0.61



### DRILL PATTERN



**For round poles 500-SLPMRPA is required.**

**Rebates and Incentives are available in many areas. Contact an Atlas Representative for more information.**

<sup>1</sup>LED Life Span Based Upon LM-80 Test Results



# Eagle Series

## 2nd Generation LED Area Light



### ORDERING INFORMATION

SLPM	9L	T3	4K					
PRODUCT SERIES	LUMEN PACKAGE	DISTRIBUTION	COLOR TEMP.	VOLTAGE	DIMMING	COLOR RENDERING	FIXTURE COLOR	OPTIONS
SLPM = Eagle Series Area Light	6L = 6,000 Lumens 9L = 9,000 Lumens 12L = 12,000 Lumens 18L = 18,000 Lumens 24L = 24,000 Lumens 30L = 30,000 Lumens 36L = 36,000 Lumens 43L = 43,000 Lumens 50L = 50,000 Lumens	T2 = Type 2 T3 = Type 3 T5 = Type 5 FT = Forward Throw T2L = Type 2 Rotated Left T3L = Type 3 Rotated Left FTL = Forward Throw Rotated Left T2R = Type 2 Rotated Right T3R = Type 3 Rotated Right FTR = Forward Throw Rotated Right	3K = 3000K 4K = 4000K 45K = 4500K 5K = 5000K	Blank = 120-277 4 = 347/480	Blank = 0-10vdc	Blank = 70CRI	Blank = Bronze BK = Black SL = Silver WT = White	PR = 7 Pin Photocell Receptacle SP = Surge Protection IC = Integrated Motion Control BTM = Bluetooth Microwave Motion Control <i>includes photocontrol</i>

### PERFORMANCE DATA

LUMEN PACKAGE	DISTRIBUTION	CRI	3000K CCT		4000K CCT		4500K CCT		5000K CCT		WATTAGE
			DELIVERED LUMENS	EFFICACY (LPW)	DELIVERED LUMENS	EFFICACY (LPW)	DELIVERED LUMENS	EFFICACY (LPW)	DELIVERED LUMENS	EFFICACY (LPW)	
6L	T2	70	5,908	153	6,067	158	6,093	159	6,152	160	39
	T3	70	5,824	151	5,981	155	6,006	155	6,065	157	
	FT	70	5,712	148	5,866	152	5,891	153	5,948	154	
	T5	70	5,848	152	6,005	156	6,031	156	6,090	158	
9L	T2	70	9,155	159	9,401	163	9,442	164	9,533	166	58
	T3	70	9,082	158	9,326	162	9,366	163	9,457	164	
	FT	70	8,866	154	9,104	158	9,144	159	9,232	160	
	T5	70	9,086	158	9,330	162	9,370	163	9,461	164	
12L	T2	70	12,030	160	12,354	164	12,407	165	12,527	167	75
	T3	70	11,900	159	12,220	163	12,272	164	12,391	165	
	FT	70	11,670	156	11,984	160	12,035	160	12,152	162	
	T5	70	11,950	159	12,271	164	12,324	164	12,444	166	
18L	T2	70	17,840	155	19,506	160	18,509	152	18,509	152	122
	T3	70	17,810	155	19,489	160	18,493	152	18,493	152	
	FT	70	17,340	151	19,182	157	18,201	149	18,201	149	
	T5	70	17,820	155	19,650	161	18,645	153	18,645	154	
24L	T2	70	23,640	148	25,447	149	24,146	141	24,146	141	171
	T3	70	23,620	148	25,425	149	24,125	141	24,125	141	
	FT	70	23,030	144	25,025	146	23,745	139	23,745	139	
	T5	70	23,660	148	25,635	150	24,324	142	24,324	142	
30L	T2	70	27,043	153	29,395	166	28,859	164	28,859	164	177
	T3	70	27,378	155	29,759	168	29,216	165	29,216	165	
	FT	70	27,042	153	29,393	166	28,857	163	28,857	163	
	T5	70	27,526	156	29,920	169	29,374	166	29,374	166	
36L	T2	70	32,699	149	35,542	162	34,796	159	34,796	159	219
	T3	70	32,755	150	35,603	162	34,856	159	34,856	159	
	FT	70	32,229	147	35,032	160	34,297	157	34,297	157	
	T5	70	32,497	148	35,323	160	34,582	157	34,582	157	
43L	T2	70	38,410	140	41,750	152	41,258	150	41,258	150	275
	T3	70	38,704	141	42,070	153	41,575	151	41,575	151	
	FT	70	38,288	139	41,617	151	41,127	150	41,127	150	
	T5	70	39,072	142	42,470	154	41,970	152	41,970	152	
50L	T2	70	44,915	135	48,821	147	47,962	144	47,962	144	333
	T3	70	45,255	136	49,190	148	48,324	145	48,324	145	
	FT	70	44,060	132	47,891	144	47,048	142	47,048	142	
	T5	70	45,562	137	49,524	149	48,652	146	48,652	146	