



# LED Bollard

### Project Information

Job Name

Fixture Type LED Bollard

Catalog Number BL Series

Approved by

## BL Series LED Bollard



### SPECIFICATIONS:

	BL18LED4K	BL18LED5K	BL36LED4K	BL36LED5K
<b>Lumens:</b>	2035	2035	3960	3960
<b>Watts:</b>	18	18	36	36
<b>Lumens/Watt:</b>	111	111	110	110
<b>CRI:</b>	70	70	70	70
<b>CCT:</b>	4000	5000	4000	5000

### Construction:

This attractive, heavy-duty bollard features full proof aluminum construction housing, providing corrosion and vandal resistance ideal for lighting pedestrian walkways, as well as accenting the exterior grounds of office and apartment buildings, hotel and parks. A solid foundation withstands the elements, driver options work in even the worst weather conditions.

LED compartment is airtight to prevent fogging and condensation build up and keep water out.

### Listings:

Luminaire is certified to UL/cUL Standards for Wet Locations.

### AC Input:

120/208/240/277 V

### Driver:

Constant current, Class 2, 120-277 VAC, 50-60 Hz

High Efficiency – min. 84%

Off-State Power: 0 Watts

0-10 V Dimming

### LEDs:

4000K | 5000K CCT

Epoxy Guard™ protective conformal coated boards

Atlas LEDs provide higher lumen output, greater energy efficiency and more reliable fixture performance. They are tested and binned at 700mA which is the actual operating current used in Atlas LED luminaires, giving a better representation of actual performance.

### Reduced Glare:

Aluminum reflector designed to reduce glare and produce an even distribution.

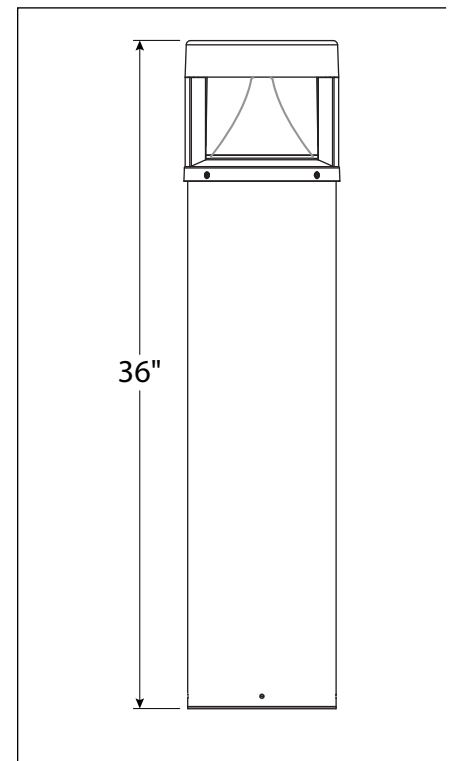
### Testing:

Atlas LED luminaires have been tested by an independent laboratory in accordance with IESNA LM-79 & LM-80.

**Warranty:** Five-year limited warranty



### DIMENSIONS:



**Rebates and Incentives are available in many areas. Contact an Atlas Representative for more information.**

## ATLAS LIGHTING PRODUCTS, INC.

PO BOX 2348 | BURLINGTON, NC 27216

800-849-8485 | FAX: 1-855-847-2794 | www.atlasled.com

**ORDERING FORMAT**

BL  
PRODUCT SERIES  
BL= LED Bollard

18LED  
WATTAGE  
18LED = 18 Watts  
36LED = 36 Watts

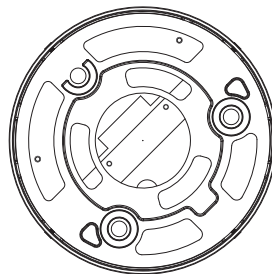
VOLTAGE  
Blank = 120-277

CRI  
Blank = 70

4K  
COLOR TEMP.  
4K = 4000K  
5K = 5000K

COLOR  
Blank = Bronze

**MOUNTING DETAIL**



8.39"