



# FIELD ADJUSTABLE Edge Lit Panel

**FAELP24LED** 2x4 LED Edge Lit Panel



<b>Project Information</b>	
Job Name	
<b>Fixture Type</b>	2x4 LED Edge Lit Panel
<b>Catalog Number</b>	FAELP24LED
<b>Approved by</b>	

## SPECIFICATIONS:

	30 Watts (adjustable)			35 Watts (adjustable)			45 Watts (adjustable)		
<b>CCT:</b>	3500K	4000K	5000K	3500K	4000K	5000K	3500K	4000K	5000K
<b>Lumens:</b>	3,248	3,413	3,409	3,702	3,921	3,891	4,698	5,046	4,971
<b>LpW:</b>	112	120	117	109	119	115	104	115	110
<b>CRI:</b>	>80			>80			>80		
<b>Lifespan:</b>	50,000 hrs. <sup>1</sup>			50,000 hrs. <sup>1</sup>			50,000 hrs. <sup>1</sup>		
<b>DLC ID:</b>	PL4V60PIKS27								

### Construction:

Designed for commercial and industrial applications, providing cooler operating temperatures, brighter light and longer LED life. Housing features metal back panel and wiring compartment. Frame is constructed of Aluminum that is post-painted white.

### Optics:

Frosted white lens diffuses light. Atlas Edge Lit Panels utilize edge-lit technology and provide full diffusion with excellent uniformity.

Available in Field Adjustable 3,000, 4,000 and 5,000 Lumens

Available in Field Adjustable 3500K, 4000K, and 5000K color temperatures.

Color rendering index > 80

120° beam angle

### Electrical:

Universal 120-277 AC voltage (50-60Hz) is standard

0-10 V Dimming capability is standard

Total harmonic distortion < 20%

Power factor: < 90%

Suitable for ambient temperatures from -25° to 45°C (-13°F to 113°F)

### LEDs:

Long-life LEDs provide 50,000 hours of operation with at least 70% of initial output (L70).

### Installation:

Easy installation in new construction or retrofit. For surface-mount and suspension-mount applications, accessories are to be ordered separately. See Accessories section.

### Listings:

Luminaire is certified to ETL Standards for Damp Locations

DesignLights Consortium qualified luminaire, eligible for rebates from DLC member utilities.

### Testing:

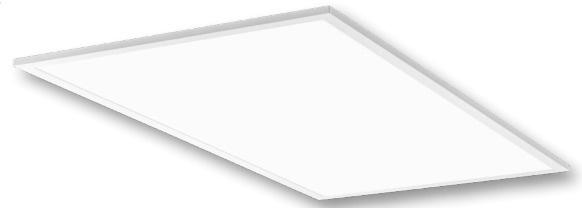
Atlas LED luminaires have been tested by an independent laboratory in accordance with IESNA LM-79 & LM-80.

### Warranty:

Five-year limited warranty

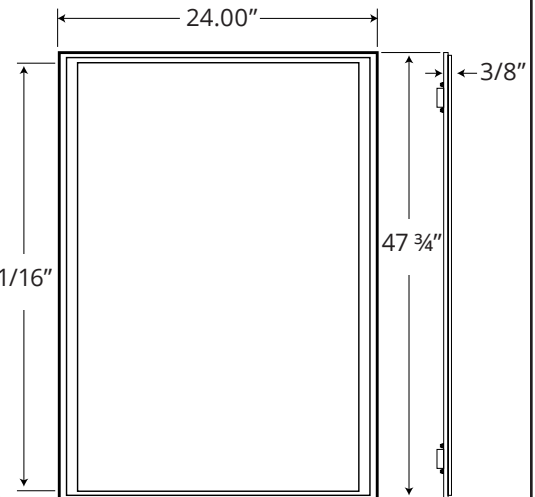
### Emergency Backup:

For factory installed Emergency Back-Up add suffix EB to part number. Provides emergency illumination (1,100 lumens) for a minimum of 90 minutes.



### DIMENSIONS:

**Weight:** 16.53 lbs.  
**Width:** 24.00"  
**Length:** 47.75"  
**Height:** 0.38"  
**Inner Length:** 45.06"



Rebates and Incentives are available in many areas. Contact an Atlas Representative for more information.

<sup>1</sup>LED Life Span Based Upon LM-80 Test Results

## ATLAS LIGHTING PRODUCTS, INC.

PO BOX 2348 | Burlington, NC 27216

800-849-8485 | fax: 1-855-847-2794 | www.atlasled.com



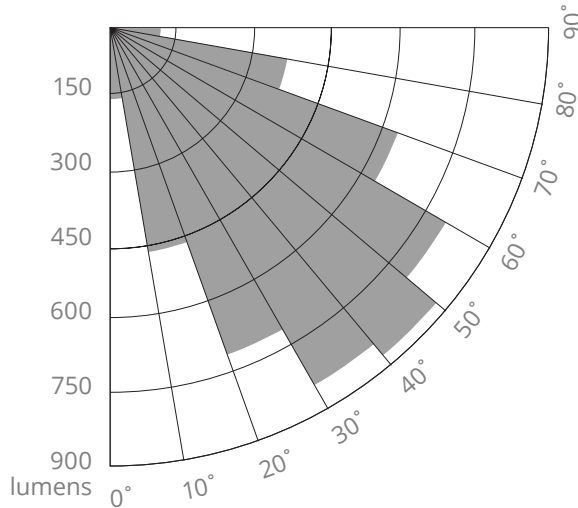
# FIELD ADJUSTABLE Edge Lit Panel

**FAELP24LED** 2x4 LED Edge Lit Panel

## PHOTOMETRICS:

### Zonal Lumen Distribution

<b>0-10</b>	161.06
<b>10-20</b>	460.00
<b>20-30</b>	702.03
<b>30-40</b>	848.62
<b>40-50</b>	888.18
<b>50-60</b>	807.80
<b>60-70</b>	624.12
<b>70-80</b>	380.70
<b>80-90</b>	127.00
<b>Total</b>	4999.51



## ACCESSORIES:

Product	Part Number	Description
Frame Kits for Surface Mount Panels	SMK24	For 23.74" X 47.76" panel surface mounted. Dimension: 24.02" x 48.03" x 2.17" White color finished

## ORDERING INFORMATION:

FAELP	24	LED	U	
<b>PRODUCT SERIES</b>	<b>SIZE</b>	<b>LIGHT SOURCE</b>	<b>DRIVER</b>	<b>OPTIONS</b>
FAELP = Field Adjustable Edge Lit Panel	24 = 2'x4'	LED	U = Universal Voltage (120-277V) with 0-10v Dimming	EB = Emergency Back-Up

## ATLAS LIGHTING PRODUCTS, INC.

PO BOX 2348 | Burlington, NC 27216  
800-849-8485 | fax: 1-855-847-2794 | www.atlasled.com