



MODEL #: ORSF3L4K

UPC #: 765364023927

Small Flood Light



Specifications

Electrical Specifications

- Input Wattage: 30W
- Efficacy: 100 LpW
- AC Input: 120/208/240/277 V
- Driver: Constant current, Class 2, 120-277VAC 50/60Hz

Lighting Specifications

- Total Lumens: 3,000
- Color Temperature: 4000K
- Color Rendering Index: 80

Housing Specifications

- Die-cast aluminum housing
- UV stabilized power coated finish
- Color: Bronze
- Lifespan: 50,000 hours

Listings

- ETL/cETL listed for wet locations
- DLC qualified luminaire, eligible for rebates from DLC member utilities. DLC Prod. ID: PFFBF8YJ

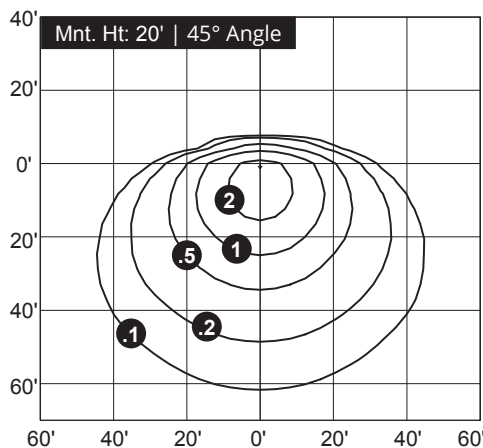
Warranty

- 5-Year limited warranty



Model	Watts	Lumens	Volts	Color Temp.
ORSF3L4K	30 LED	3,000	120-277	4000K

Photometrics



Light Loss Factor	1.00
Total Lamp Lumens	3904
Mounting Height	20'
Tilt	45°
Max. Calculated Value	2.78Fc



origin

BY ATLAS
LIGHTING

PROJECT INFORMATION

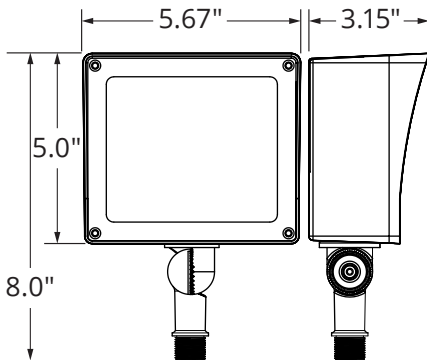
MODEL #: ORSF3L4K

UPC #: 765364023927

Small Flood Light

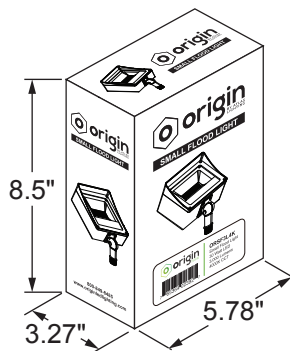
Dimensions

Product Dimensions



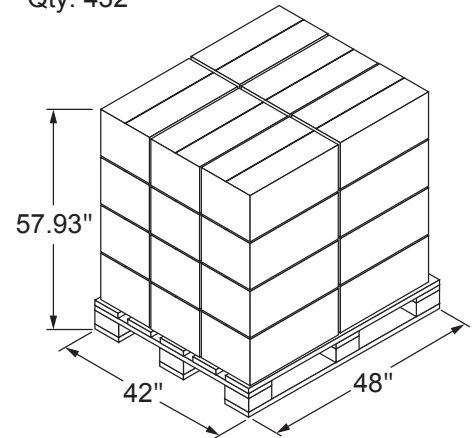
Carton Dimensions

Weight: 2.5 lbs.



Pallet Dimensions

Qty: 432



Installation

How to mount on junction box

- Step 1: Wire fixture into a junction box mount (not included) by connecting wires; white wire to "Neutral" terminal, black wire to "Live" terminal, green wire to "Ground" terminal; and fix them by screws.
- Step 2: Thread knuckle into junction box and secure at desired rotation.
- Step 3: Restore the electricity and check the operation of your new lighting fixture.
- Step 4: To aim flood, bolt on knuckle can be loosened and re-tightened at desired position.

