



origin

BY ATLAS
LIGHTING

PROJECT INFORMATION

MODEL #: _____

UPC #: _____

Tall Wall Pack



Specifications

Electrical Specifications

- Input Wattage: 20W
- Efficacy: 100 LpW
- AC Input: 120/208/240/277 V
- Driver: Constant current, Class 2, 120-277VAC 50/60Hz
- Photocontrol Optional
(add suffix PC to part number for factory installed photocontrol)

Lighting Specifications

- Total Lumens: 2,000
- Color Temperature: 4000K
- Color Rendering Index: 80

Housing Specifications

- Polycarbonate housing
- UV stabilized power coated finish
- Color: Bronze
- Lifespan: 50,000 hours

Lens Specifications

- Polycarbonate lens

Listings

- UL/cUL standards for wet locations
- DLC qualified luminaire, eligible for rebates from DLC member utilities.

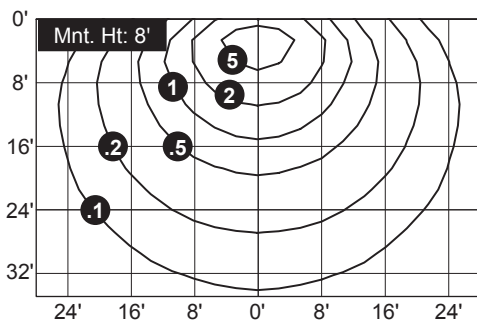
Model	DLC Prod. ID	Model	DLC Prod. ID
ORTP2L4K	PXS8LVX1	ORTP2L4KPC	PXS8LVX1

Warranty

- 5-Year limited warranty

Model	Watts	Lumens	Volts	Color Temp.
ORTP2L4K	20 LED	2,000	120-277	4000K
ORTP2L4KPC	20 LED	2,000	120-277	4000K

Photometrics



Light Loss Factor	1.00
Total Lumens	1680
Mounting Height	8'
Max. Calculated Value	8.94Fc



origin

BY ATLAS
LIGHTING

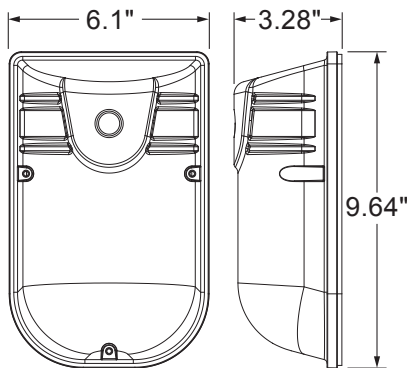
PROJECT INFORMATION

MODEL #:

UPC #:

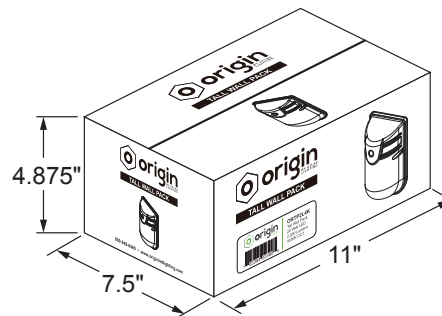
Tall Wall Pack

Product Dimensions



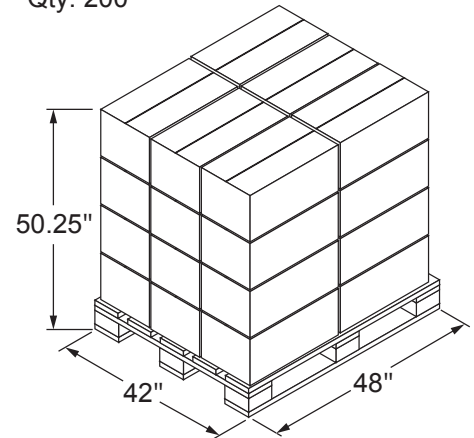
Carton Dimensions

Weight: 1.3 lbs.



Pallet Dimensions

Qty: 200



Installation

1. Open the fixture by loosening the 2 tamper-proof screws in the side. Disconnect the LED module power leads from the led driver and remove the LED assembly. Do not drop or mishandle the LED assembly.
2. Prepare the back plate for mounting by drilling or knocking out the appropriate holes.
3. Line up the back plate in desired location and mount securely. Gaskets are provided for a weather tight seal between the template and the junction box.
4. Reattach the LED driver module to the back plate. Splice the branch circuit power leads to the fixture power leads as seen below.
5. Reattach the LED module power leads to the driver and replace the LED assembly using the provided tamper-proof screws.

