



MODEL #: \_\_\_\_\_

UPC #: \_\_\_\_\_

## 2'x4' Selectable Panel



### Specifications

#### Electrical Specifications

- Input Wattage: Selectable 28 - 48W
- Efficacy: 125 LpW
- AC Input: 120/208/240/277 V
- Driver: Constant current, Class 2, 120-277VAC 50/60Hz
- Dimming: 0-10V

#### Lighting Specifications

- Lumens: Selectable 3,500 - 6,000
- Color Temperature: Selectable 3500K, 4000K, 5000K CCT
- Color Rendering Index: 80

#### Housing Specifications

- Stamped aluminum housing
- Color: White
- Lifespan: 50,000 hours

#### Listings

- UL/cUL standards for damp location
- DLC qualified luminaire, eligible for rebates from DLC member utilities. DLC Prod. ID: P16GZ4NQ

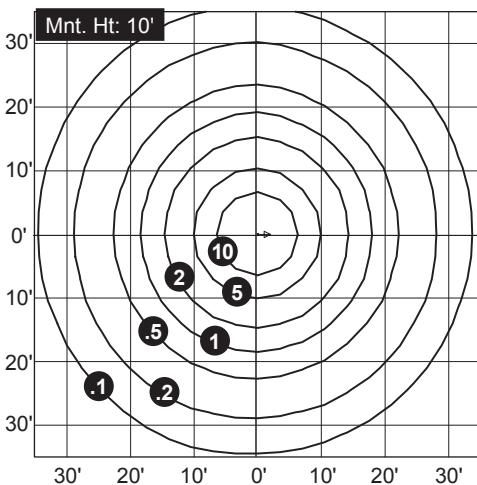
#### Warranty

- 5-Year limited warranty



Model	Watts	Lumens	Volts	Color Temp.
ORB LP24SEL3-6L	28	3500	120-277	Selectable 3500K 4000K 5000K
	38	4750		
	48	6000		

### Photometrics



Light Loss Factor	1.00
Total Lumens	5,997
Mounting Height	10'
Max. Calculated Value	19.71Fc



# origin

BY ATLAS  
LIGHTING

PROJECT INFORMATION

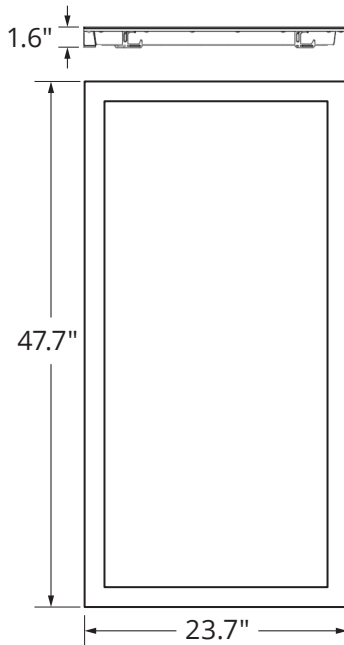
MODEL #:

UPC #:

## 2'x4' Selectable Panel

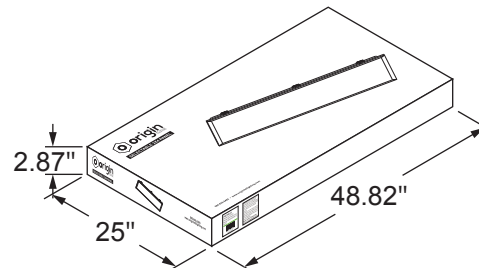
### Dimensions

#### Product Dimensions



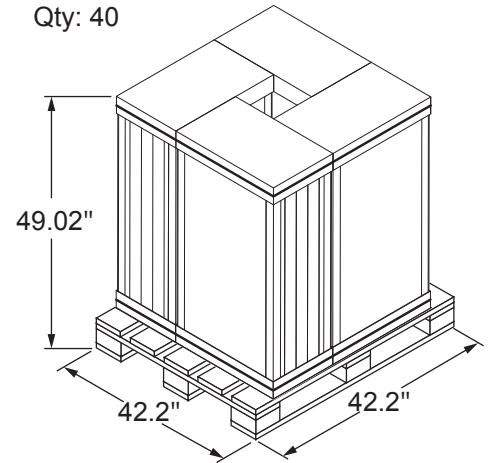
#### Carton Dimensions

Weight: 8.82 lbs.



#### Pallet Dimensions

Qty: 40

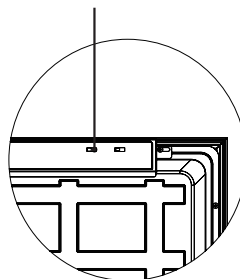


### Installation

#### LUMEN AND CORRELATED COLOR TEMPERATURE SELECTABLE INSTRUCTIONS

Different lumen and correlated color temperature levels can be achieved by setting the switch on the driver cover to different positions.

#### Lumen Selection



#### CCT Selection

