

Round High Bay



Specifications

Electrical Specifications

- Input Wattage: 179 - 208W
- Efficacy: up to 146 LpW
- AC Input: 120/208/240/277 V
- Driver: Constant current, Class 2, 120-277VAC 50/60Hz
- Operating Temperature -40°C to +50°C (-40°F to +122°F)
- Dimming: 0-10V

Lighting Specifications

- Total Lumens: 23,337 | 30,385
- Color Temperature: 4000K | 5000K
- Color Rendering Index: 80

Housing Specifications

- Die-cast aluminum housing
- Eye bolt mounting
- Color: Black
- UV stabilized power coated finish
- Lifespan: 50,000 hours

Lens Specifications

- Clear glass lens

Listings

- UL/cUL standards for wet location
- IP65
- DLC qualified luminaire, eligible for rebates from DLC member utilities.

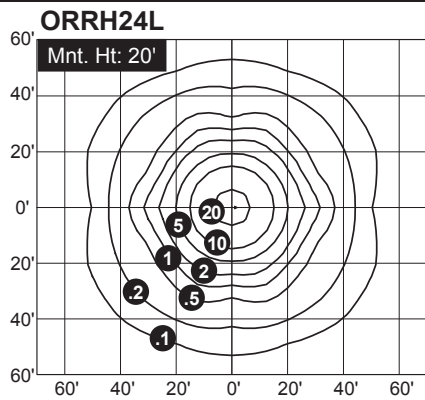
| Model | DLC Prod. ID | Model | DLC Prod. ID |
|-----------|--------------|-----------|--------------|
| ORRH24L4K | PGDA5Y8Y | ORRH24L5K | PYTV6I80 |
| ORRH30L4K | PX5YWZ09 | ORRH30L5K | P9T5E722 |

Warranty

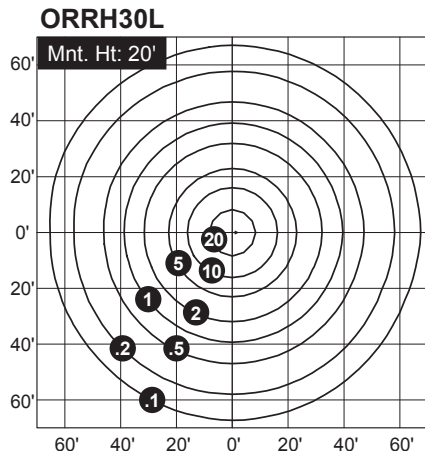
- 5-Year limited warranty

| Model | Watts | Lumens | Volts | Color Temp. |
|-----------|-------|--------|---------|-------------|
| ORRH24L4K | 179 | 23,337 | 120-277 | 4000K |
| ORRH24L5K | 179 | 22,383 | 120-277 | 5000K |
| ORRH30L4K | 208 | 30,385 | 120-277 | 4000K |
| ORRH30L5K | 208 | 30,295 | 120-277 | 5000K |

Photometrics



| | |
|-----------------------|---------|
| Light Loss Factor | 1.00 |
| Total Lamp Lumens | 23,337 |
| Mounting Height | 20' |
| Max. Calculated Value | 19.33Fc |



| | |
|-----------------------|---------|
| Light Loss Factor | 1.00 |
| Total Lamp Lumens | 30,385 |
| Mounting Height | 20' |
| Max. Calculated Value | 24.01Fc |



origin

BY ATLAS
LIGHTING

PROJECT INFORMATION

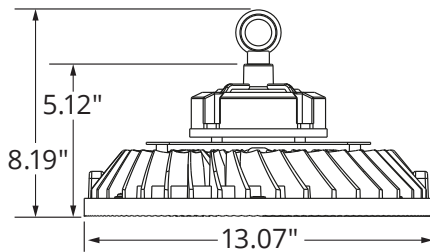
MODEL #:

UPC #:

Round High Bay

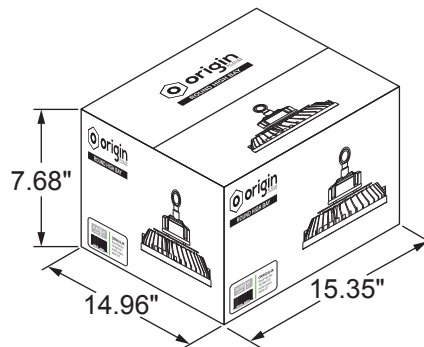
Dimensions

Product Dimensions



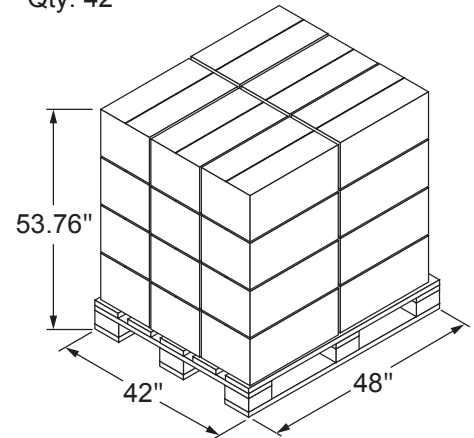
Carton Dimensions

Weight: 11.96 lbs.



Pallet Dimensions

Qty: 42



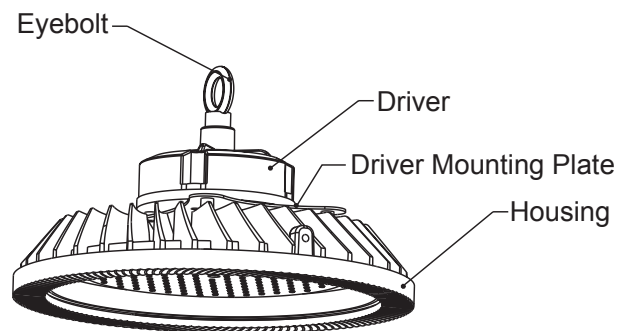
Installation

Step 1: Eye Bolt Suspension

1. Install the enclosed eye bolt hook into the top of the luminaire housing, and tighten securely. Tighten the lock-nut to prevent the eyebolt from loosening.
2. Suspend fixture with chain or cable securely attached to fixture eye bolt. • Unpack fixture and ensure that there are no damaged parts.

Step 2: Wiring

1. Turn off electrical supply at the breaker.
2. Pull building supply leads into the housing through the access plate.
3. Follow all local electrical codes for wiring and grounding requirements.
4. Grip black supply wire firmly and push into connector port marked with black circle (opposite black driver wire).
5. Grip white supply wire firmly and push into the remaining port.
6. Use only conductor per port and assure that no copper is exposed on any of the wires inserted.
7. Turn on electrical supply at the breaker.



Reflector/Refractor Installation Instructions

1. Loosen reflector/refractor screws on the face of the fixture to allow the reflector/refractor key hole slots to be placed onto screws.
2. Place reflector on the fixture face. Rotate the reflector slightly, clock-wise, to engage screws into keyhole slot area.
3. Tighten screws to secure reflector to fixture housing.