



**origin**  
BY ATLAS  
LIGHTING

PROJECT INFORMATION

MODEL #:

UPC #:

## LED Security Light



### Specifications

#### Electrical Specifications

- Input Wattage: 21W
- Efficacy: 97 LpW
- AC Input: 120 V
- Driver: Constant current, Class 2, 120VAC 50/60Hz
- Passive infrared sensor at 240°

#### Lighting Specifications

- Total Lumens: 2,042
- Color Temperature: 4000K
- Color Rendering Index: 80

#### Housing Specifications

- Die-cast aluminum housing
- UV stabilized power coated finish
- Color: Bronze and White
- Lifespan: 50,000 hours

#### Listings

- UL/cUL standards for wet locations

#### Warranty

- 5-Year limited warranty

Model	Watts	Lumens	Volts	Color Temp.	Color
ORMS2L2404K	24	2,042	120	4000K	Bronze
ORMS2L2404KWT	24	2,042	120	4000K	White



# origin

BY ATLAS  
LIGHTING

PROJECT INFORMATION

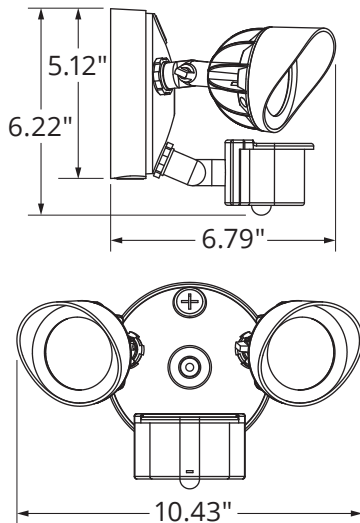
MODEL #:

UPC #:

## LED Security Light

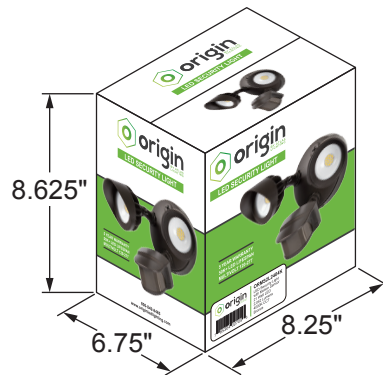
### Dimensions

#### Product Dimensions



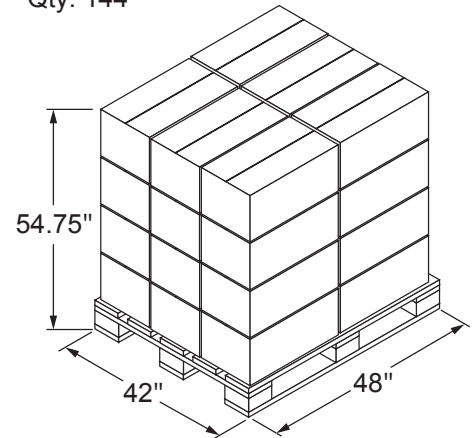
#### Carton Dimensions

Weight: 2.86 lbs.



#### Pallet Dimensions

Qty: 144



### Installation

- Remove all parts from packaging along with hardware bag.
- Install mounting strap to junction box.
- Connect leads from back of fixture to the power supply leads: Green to green (ground), black to black (hot), white to white (neutral).
- Mount fixture onto electrical box using the screw [A] provided. Be sure gasket [B] is placed securely between mounting plate [C] and electrical box. Care must be taken to avoid pinching wires.
- Tighten the fixture down securely. Point the LED heads and motion sensor to the desired direction, then tighten the lock nut [D]. (To prevent twisting of wires, do not rotate the fixture past the limits specified on the fixture.)
- Apply silicone caulk around all sides of the mounting plate where it meets the mounting surface.

