



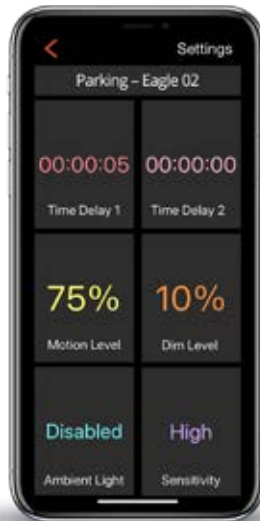
# CAPITAL CONTROLS

## CONTROLS SIMPLIFIED FAST SET UP



### DEVICE DISCOVERY

- Lists Sensors within Range



### MOTION SENSING

- Full On Adjustability
- Sensitivity



### DIMMING LEVELS

- Time Delay Prior to Dimming
- Fully Customizable Settings



### COMPLETE NAMING

### PASSWORD PROTECTED



Free Atlas Capital Controls App

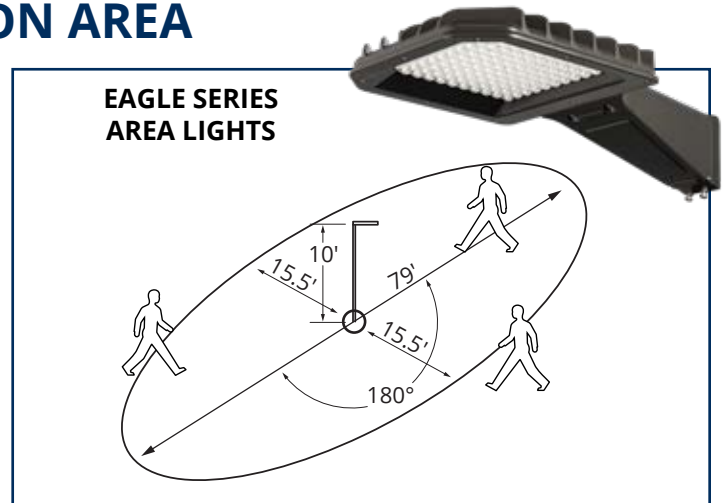
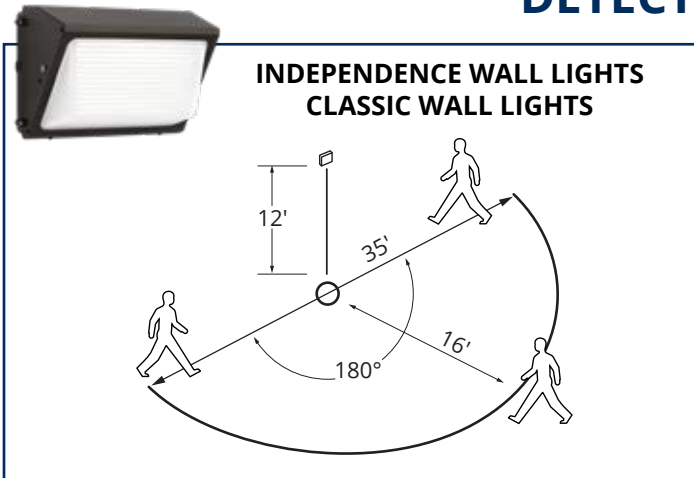




# CAPITAL CONTROLS

## TECHNICAL INFORMATION

### DETECTION AREA



#### DESCRIPTION

Configure, test and adjust Bluetooth LE enabled sensors from your mobile device.

The Atlas Capital Controls App allows users to easily manage Bluetooth LE sensor installations despite weather, height restrictions and other physical obstructions. No additional hardware or specialized tools are required.

Sensors are wirelessly configured via the App using secure Bluetooth LE, giving end-users piece of mind that their wireless fixtures are protected in a wireless environment.

#### SET-UP

Download the Atlas Capital Controls App from the iTunes or Android Market, install it on the desired device and open the App to discover the available Bluetooth LE sensors.

Next, configure the different parameters for each sensor, create jobsites and passwords, and manage sensor profiles for quick changes to multiple parameters at one time.

#### COMMUNICATION

Protected Bluetooth LE wireless technology, also known as “Bluetooth Smart” is a power conserving variant of Bluetooth personal area network technology and is used bidirectionally to communicate between Bluetooth enabled devices like smart phones and wireless sensors.

Bluetooth LE facilitates protected, infrequent short-range wireless data communication between devices and is faster than traditional Bluetooth using less than half the power.

#### SYSTEM REQUIREMENTS

Apple iOS6 or later but recommend iOS10

Android OS 4.4 (KitKat) or later but recommend Android OS 7 (Nougat)

Sensor Config App 1.0 or later

IMSBT Integral Bluetooth Motion and Daylight Sensors



**AVAILABLE FOR:**  
Independence Wall Lights\*  
Classic Wall Lights\*  
Eagle Series

\*WM, WLM, WD, WLD



**COMING SOON:**  
Flood Lights