



Dusk to Dawn Mounting Arm

PROJECT INFORMATION

JOB NAME	
FIXTURE TYPE	Dusk to Dawn Mounting Arm
CATALOG NUMBER	21DDA
APPROVED BY	

SPECIFICATIONS

Construction:

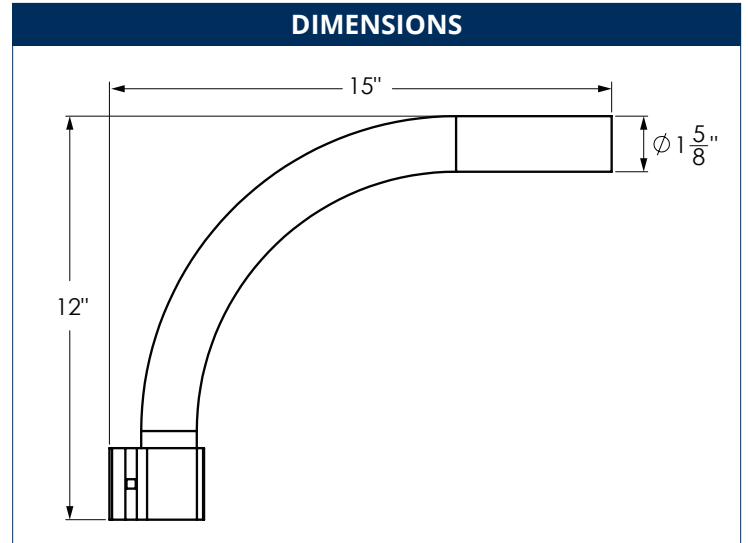
- Aluminum construction
- For use with Atlas Dusk to Dawn fixtures

Dimensions:

- Arm Diameter: 1 5/8" (42 mm)
- Length: 15.00" (380 mm)
- Height: 12.00" (305 mm)



DIMENSIONS



ORDERING INFORMATION

CATALOG #	DESCRIPTION	STD. PKG.
21DDA	Mounting Arm for Dusk to Dawn fixture	1