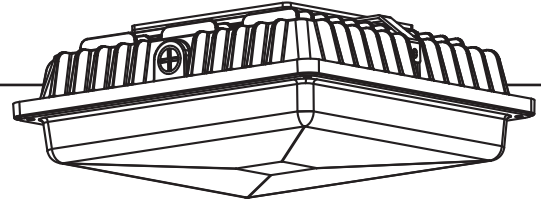




Model: LPC Series



IMPORTANT: READ BEFORE REMOVING FIXTURE FROM CARTON.
RETAIN FOR FUTURE REFERENCE

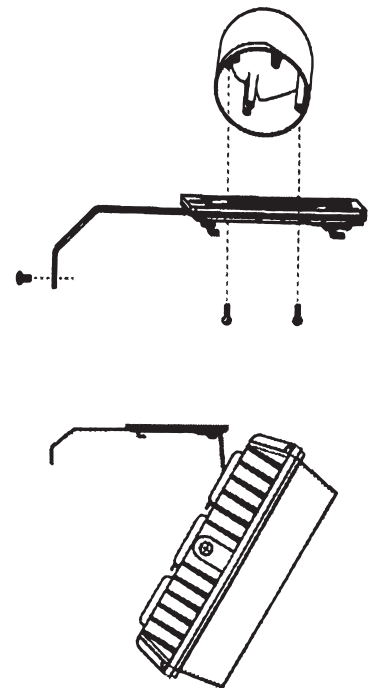
SAFETY: This fixture must be wired in accordance with the NATIONAL ELECTRICAL CODE and applicable local codes and ordinances. A person familiar with the construction and operation of the product and the hazards involved must install this product. A qualified licensed electrician should complete all work. Proper grounding is required for safety.

WARNING: Make certain power is OFF before installing or maintaining fixture.

RISK OF INJURY: Fixture may become damaged and/or unstable if not installed properly.

INSTALLATION

1. Remove the junction box mounting plate from the top of the fixture by loosening one side screw and sliding the fixture plate out from the holding brackets on the top of the casting.
2. Install the mounting plate to the junction box with two screws (not provided). The bracket should be positioned to allow the fixture to be "square" with the sides of the canopy the fixture is mounted to.
3. Hang the fixture from support spring while wiring the unit. Bring the fixture input wires from the top of the fixture and connect to the power leads in the junction box - black to black (hot), white to white (neutral), and green to green (ground).
4. Connect the main housing to the junction box bracket. Hold in place while reinstalling one side locking screw.
5. Turn on the power. The fixture will come to full output in several seconds.



ATLAS LIGHTING PRODUCTS, INC.'S LIMITED WARRANTY

THREE OR FIVE-YEAR LIMITED WARRANTY: Atlas warrants that its products will be free from failure in materials and workmanship for a period of three (3) years from the date on which the product was purchased from Atlas. This warranty applies to LED products for a period of five (5) years. When this three or five-year warranty period ends, all warranties (whether express or implied) and liability of Atlas shall immediately cease. The warranty period for all lamps and photocells is one (1) year.

LIMITATION ON IMPLIED WARRANTIES: ALL IMPLIED WARRANTIES, INCLUDING IMPLIED WARRANTIES OF MERCHANTABILITY AND FITNESS FOR ANY PARTICULAR PURPOSE, ARE LIMITED TO AND SHALL NOT EXCEED THE TERMS OF THIS LIMITED WARRANTY.

FURTHER LIMITATIONS OF THIS WARRANTY: This limited warranty **DOES NOT** cover damage resulting from accident, misuse, abuse, improper repair, lack of reasonable care, modification (including but not limited to use of unauthorized parts or attachments), alteration, loss of parts, installation and operation contrary to printed instructions, vandalism, acts of God (lightning, power surges, water damage or similar failure), or transit (including UPS shipments). This limited warranty also does not include labor costs associated with installing replacement parts for any failed parts returned to Atlas under this warranty.

DUTY AND PROCEDURE TO NOTIFY ATLAS OF FAILED PRODUCT: Notification of a failed product under this warranty must be provided to Atlas within ninety (90) days after discovery of the failure. Notification occurs only by sending the following to Atlas: (1) sales receipt, (2) the date of purchase, and (3) a brief explanation of the nature of the failure. This information must be either e-mailed to Atlas at returns@alpine.com or mailed to Atlas Lighting Products, Inc., Attn: Returns Department, P.O. Box 2348, Burlington, NC 27215. The date of the postmark of the mailing to Atlas shall constitute the date of notification under this warranty. If the information is e-mailed, the date that the e-mail is sent to Atlas shall constitute the date of notification under this warranty. Upon receiving a timely notification, Atlas will, if the notification reflects a failure of materials or workmanship, provide a Return Goods Authorization number and full instructions for returning failed merchandise. **All returned goods must be accompanied by a Return Goods Authorization number issued by Atlas.**

SOLE REMEDY: REPAIR OR REPLACEMENT: If, upon receiving a timely notification with the information stated above and receiving merchandise that appears to Atlas to have a failure in materials or workmanship, Atlas will — at Atlas's sole option — either repair the failed part(s) or provide a replacement part or parts. This remedy constitutes the sole remedy under this warranty and Atlas's sole liability in connection with any failed part(s). **Atlas shall not be liable for any other expense, injury, loss or damage, whether direct, special, incidental, or consequential (including but not limited to loss of use, income, profit, or production, inconvenience, increased cost of operation, and spoilage of or damage to material and personal property).** As stated above, this limited warranty does not include labor costs associated with installing replacement parts for any failed parts returned to Atlas under this warranty.

NO OTHER REPRESENTATIONS: No other representations, written or verbal, have been authorized by Atlas. No representative of Atlas has any authority to waive, alter, vary, or add to the terms hereof without prior approval in writing by an authorized representative of Atlas.

SEVERABILITY: The foregoing provisions are severable. If any provision shall be unenforceable for any reason, the other provisions shall remain in effect.

DISCLAIMER: ATLAS LIGHTING PRODUCTS, INC. MAKES NO REPRESENTATIONS (WRITTEN OR VERBAL) OR WARRANTIES (EXPRESS OR IMPLIED) AS TO ANY MATTER WHATSOEVER, INCLUDING WITHOUT LIMITATION THE CONDITION, MERCHANTABILITY, OR FITNESS FOR ANY PARTICULARLY PURPOSE OF ANY PRODUCT, EXCEPT AS EXPRESSLY SET FORTH UNDER THIS LIMITED WARRANTY.

THIS WARRANTY GIVES YOU SPECIFIC LEGAL RIGHTS AND YOU MAY ALSO HAVE OTHER RIGHTS WHICH VARY FROM STATE TO STATE.