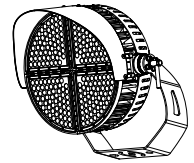




Model: Patriot Series



IMPORTANT: READ BEFORE REMOVING FIXTURE FROM CARTON. RETAIN FOR FUTURE REFERENCE

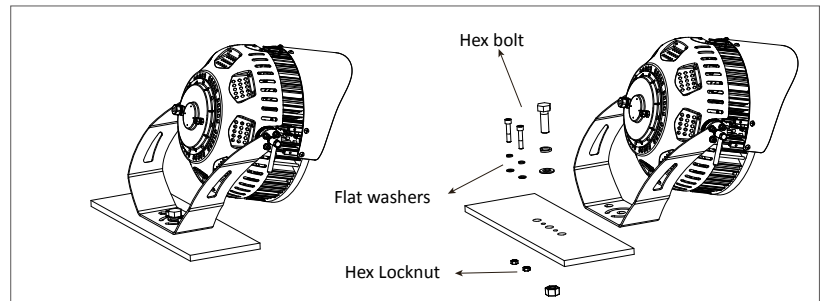
SAFETY: This fixture must be wired in accordance with the NATIONAL ELECTRICAL CODE and applicable local codes and ordinances. A person familiar with the construction and operation of the product and the hazards involved must install this product. A qualified licensed electrician should complete all work. Proper grounding is required for safety.

WARNING: Make certain power is OFF before installing or maintaining fixture.

RISK OF INJURY: Fixture may become damaged and/or unstable if not installed properly.

MOUNTING

1. The fixture has been provided with a trunion bracket for mounting on flat surfaces.
2. Secure fixture with 3/4 inch SAE2 grade bolt (tighten to 125 pounds).
Note: Clearance hole for 3/4 inch bolt needs to be a minimum of 1.125 inches from edge of flat mounting surface.
3. Follow aiming instructions.



WIRING

NOTE: Use Supply wire (6' hard service cord supplied) rated for 90°C

1. Turn off electrical supply at the breaker.
2. Follow all electrical codes for wiring and grounding requirements.
3. Check to make sure the supply voltage to the fixture is compatible with the fixture ballast.
4. Connect the white fixture wire with white service wire.
5. Connect the black fixture wire with black service wire.
6. Connect the green fixture wire to the ground wire.
7. Make sure all connections are secure using approved connecting devices.

AIMING

Aim The Luminaires

Aiming the luminaires is a critical part of the LED lighting solution to ensure that light is evenly distributed on the playing surface. There are two basic methods to properly aim a sports venue – Precision Laser Aiming by Coordinates, and Orient-Tilt.

ATLAS LIGHTING PRODUCTS, INC.'S LIMITED WARRANTY

THREE OR FIVE-YEAR LIMITED WARRANTY: Atlas warrants that its products will be free from failure in materials and workmanship for a period of three (3) years from the date on which the product was purchased from Atlas. This warranty applies to LED products for a period of five (5) years. When this three or five-year warranty period ends, all warranties (whether express or implied) and liability of Atlas shall immediately cease. The warranty period for all lamps and photocells is one (1) year.

LIMITATION ON IMPLIED WARRANTIES: ALL IMPLIED WARRANTIES, INCLUDING IMPLIED WARRANTIES OF MERCHANTABILITY AND FITNESS FOR ANY PARTICULAR PURPOSE, ARE LIMITED TO AND SHALL NOT EXCEED THE TERMS OF THIS LIMITED WARRANTY.

FURTHER LIMITATIONS OF THIS WARRANTY: This limited warranty DOES NOT cover damage resulting from accident, misuse, abuse, improper repair, lack of reasonable care, modification (including but not limited to use of unauthorized parts or attachments), alteration, loss of parts, installation and operation contrary to printed instructions, vandalism, acts of God (lightning, power surges, water damage or similar failure), or transit (including UPS shipments). This limited warranty also does not include labor costs associated with installing replacement parts for any failed parts returned to Atlas under this warranty.

DUTY AND PROCEDURE TO NOTIFY ATLAS OF FAILED PRODUCT: Notification of a failed product under this warranty must be provided to Atlas within ninety (90) days after discovery of the failure. Notification occurs only by sending the following to Atlas: (1) sales receipt, (2) the date of purchase, and (3) a brief explanation of the nature of the failure. This information must be either e-mailed to Atlas at returns@alpinc.com or mailed to Atlas Lighting Products, Inc., Attn: Returns Department, P.O. Box 2348, Burlington, NC 27215. The date of the postmark of the mailing to Atlas shall constitute the date of notification under this warranty. If the information is e-mailed, the date that the e-mail is sent to Atlas shall constitute the date of notification under this warranty. Upon receiving a timely notification, Atlas will, if the notification reflects a failure of materials or workmanship, provide a Return Goods Authorization number and full instructions for returning failed merchandise. All returned goods must be accompanied by a Return Goods Authorization number issued by Atlas.

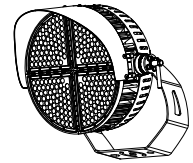
SOLE REMEDY: REPAIR OR REPLACEMENT: If, upon receiving a timely notification with the information stated above and receiving merchandise that appears to Atlas to have a failure in materials or workmanship, Atlas will — at Atlas's sole option — either repair the failed part(s) or provide a replacement part or parts. This remedy constitutes the sole remedy under this warranty and Atlas's sole liability in connection with any failed part(s). Atlas shall not be liable for any other expense, injury, loss or damage, whether direct, special, incidental, or consequential (including but not limited to loss of use, income, profit, or production, inconvenience, increased cost of operation, and spoilage of or damage to material and personal property). As stated above, this limited warranty does not include labor costs associated with installing replacement parts for any failed parts returned to Atlas under this warranty.

NO OTHER REPRESENTATIONS: No other representations, written or verbal, have been authorized by Atlas. No representative of Atlas has any authority to waive, alter, vary, or add to the terms hereof without prior approval in writing by an authorized representative of Atlas.

SEVERABILITY: The foregoing provisions are severable. If any provision shall be unenforceable for any reason, the other provisions shall remain in effect.

DISCLAIMER: ATLAS LIGHTING PRODUCTS, INC. MAKES NO REPRESENTATIONS (WRITTEN OR VERBAL) OR WARRANTIES (EXPRESS OR IMPLIED) AS TO ANY MATTER WHATSOEVER, INCLUDING WITHOUT LIMITATION THE CONDITION, MERCHANTABILITY, OR FITNESS FOR ANY PARTICULAR PURPOSE OF ANY PRODUCT, EXCEPT AS EXPRESSLY SET FORTH UNDER THIS LIMITED WARRANTY.

THIS WARRANTY GIVES YOU SPECIFIC LEGAL RIGHTS AND YOU MAY ALSO HAVE OTHER RIGHTS WHICH VARY FROM STATE TO STATE.



IMPORTANT: READ BEFORE REMOVING FIXTURE FROM CARTON. RETAIN FOR FUTURE REFERENCE

SAFETY: This fixture must be wired in accordance with the NATIONAL ELECTRICAL CODE and applicable local codes and ordinances. A person familiar with the construction and operation of the product and the hazards involved must install this product. A qualified licensed electrician should complete all work. Proper grounding is required for safety.

WARNING: Make certain power is OFF before installing or maintaining fixture.

RISK OF INJURY: Fixture may become damaged and/or unstable if not installed properly.

AIMING (CONTINUED)

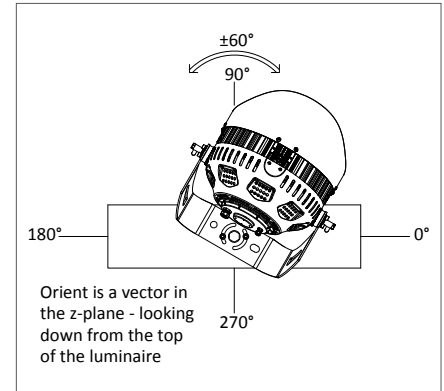
Precision Laser Aiming by Coordinates

Laser aiming is the most effective and preferred technique for aiming LED sports lighting. This method uses a laser mounted to the luminaire to point the fixture at a predetermined point on the playing surface using (X,Y) coordinates. Unless otherwise noted, aiming coordinates on photometrics or project Installation drawings are based on the origin (0,0,0) placed at center field, court, or ice. All dimensions from that point are in feet along the playing surface unless otherwise noted.

Orient –Tilt

With the Orient-Tilt method, the installer turns the luminaire according to predetermined angles. This technique is extremely helpful for pre-aiming fixtures mounted on a cross arm on the ground before the lighting pole is lifted up and set in place. However, this method is less accurate due to the variances in actual final pole and luminaire locations and orientations compared to the approximated parameters used in the photometric design. The Orient angle refers to the direction the luminaire faces in the Z-plane. In other words, mount the luminaire to the structure but leave the mounting nut slightly loosened to allow the entire fixture to spin about the mounting bolt. Set the luminaire Orient by rotating the luminaire mounting bracket relative to the mounting structure. Unless otherwise noted, Orient values shown in photometrics or project Installation Drawings are based on 0° being Plan East. Plan East means 0° is heading to the right side of the sheet as you hold it in front of you, which is not necessarily geodetic or True East.

The Tilt angle refers to the direction the luminaire faces in the Y-plane. When the luminaire is securely mounted to the structure so that the mounting bracket does not move but the side Hex and Set screws are loosened, the fixture may rotate up inside the mounting bracket. Set the luminaire Tilt angle by rotating the fixture housing relative to the luminaire mounting bracket.



1. Insert the laser or tube into the aiming mount and lighten the holding screw.
2. Insert the aiming mount onto the fixture aiming pin until it is fully seated. Aiming mount must be tight against the fixture because any movement or wiggle in the mount will cause aiming to be inaccurate.
3. Slightly loosen the fixture aiming screws just enough to allow the fixture to rotate and tilt.
4. Turn on the laser and aim the fixture by targeting the red laser dot at the aiming point. If aiming tube is used, look through tube and adjust fixture until aiming point is centered in view through tube. Refer to photometrics or project installation drawings for aiming point coordinates.
5. After aiming is complete, tighten all bolts and screws including hex and set screws on side of fixture and mounting hardware.
6. Briefly turn the laser back on or re-check view through tube to verify that the luminaire aim did not shift during tightening.
7. Remove the aiming mount from the fixture and proceed to the next luminaire.

