



# Flood Lighting Adjustable Post Top Fitter

## PROJECT INFORMATION

JOB NAME	
FIXTURE TYPE	Adjustable Post Top Fitter
CATALOG NUMBER	280-032
APPROVED BY	

## SPECIFICATIONS

**Construction:**

- Die Cast

**Mounting:**

- Post Top

**Weight:**

- 1.2 lbs. / 0.54 kg.

**Overall Height:**

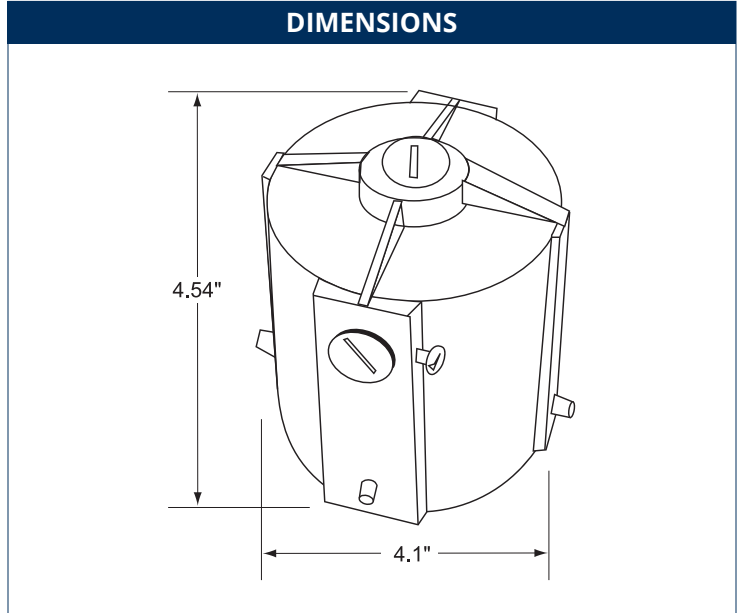
- 4.54" (11.53 cm)

**Overall Width:**

- 4.1" (10.41 cm)

**BUY AMERICAN****COMPLIANT\***

## DIMENSIONS



## ORDERING INFORMATION

CATALOG #	DESCRIPTION	FINISH	I.D. (IN.)	WT / LBS
280-032	Adjustable Post Top Fitter 1/2" Threaded Apertures	Bronze	2 1/2" - 3 1/2"	1.2