



# WLD Full Cut-Off Shield

## PROJECT INFORMATION

JOB NAME	
FIXTURE TYPE	WLD Full Cut-Off Shield
CATALOG NUMBER	320-015
APPROVED BY	

## SPECIFICATIONS

### Construction:

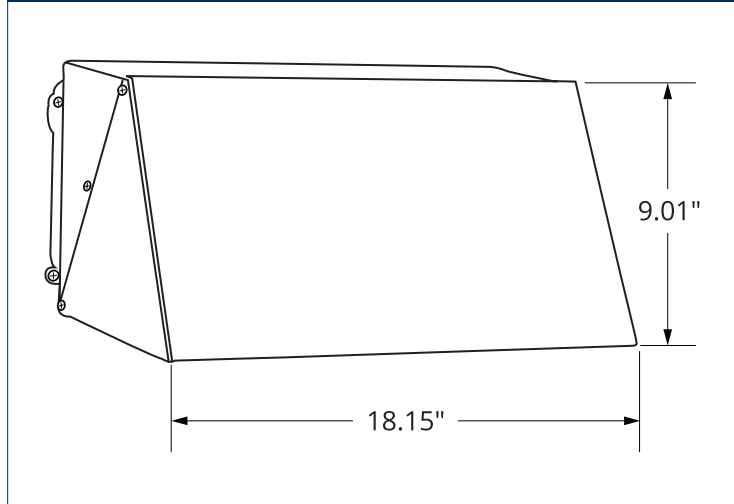
- Durable steel construction
- For use with Atlas WLD Series fixtures

### Warranty:

- Five-year limited warranty



## DIMENSIONS



## ORDERING INFORMATION

CATALOG #	DESCRIPTION	FINISH	STD. PKG.
320-015	WLD Full Cut-Off Shield	Bronze	1