



CATALOG NUMBER: 320-200	
JOB NAME:	
CUSTOMER NAME:	
NOTES:	TYPE:
	DATE:

FEATURES AND SPECIFICATIONS

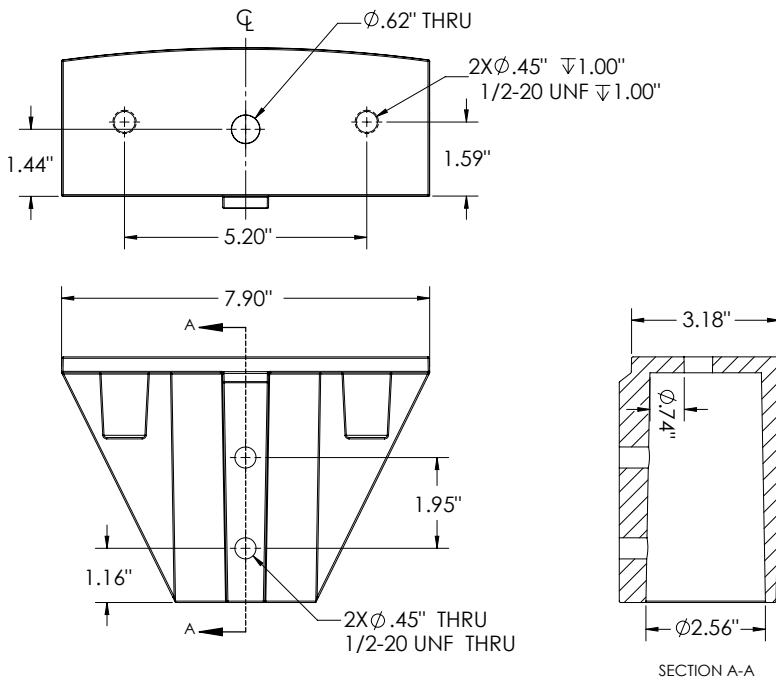
**SPORTS LIGHTING
ACCESSORIES
MOUNTING**

Construction:
Die Cast

Weight:
2.9 lbs.



DIMENSIONS



ORDERING INFORMATION

Catalog #	Description	Finish	Std. Pkg.
320-200	Tenon Mount Adapter	Black	1

Actual performance can vary depending on operating conditions. Specifications are subject to change without notice.

ATLAS LIGHTING PRODUCTS, INC.

PO BOX 2348 | BURLINGTON, NC 27216
800-849-8485 | FAX: 1-855-847-2794 | www.atlasled.com