



Flood Lighting Bracket Cross Arm Bracket

PROJECT INFORMATION

JOB NAME	
FIXTURE TYPE	Cross Arm Bracket
CATALOG NUMBER	500-006G
APPROVED BY	

SPECIFICATIONS

Construction:

- Steel

Mounting:

- Wood Pole Mount

Weight:

- 14 lbs. / 6.35 kg.

Overall Height:

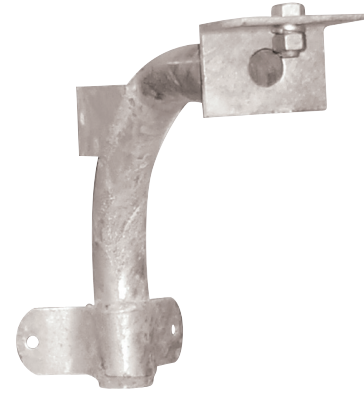
- 15" (38.10 cm)

Overall Depth:

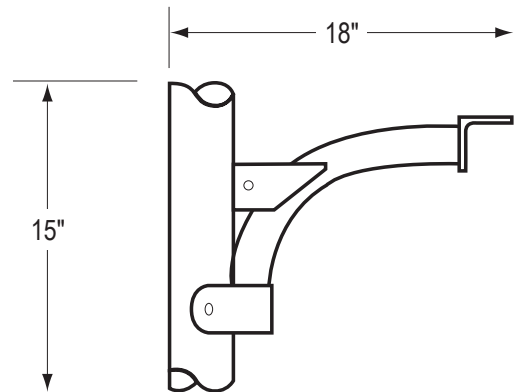
- 18" (45.72 cm)

Warranty:

- Five-year limited warranty

**BUY AMERICAN****COMPLIANT***

DIMENSIONS



ORDERING INFORMATION

CATALOG #	DESCRIPTION	FINISH	WT / LBS
500-006G	Cross Arm Bracket-Steel	Galvanized	14