



Flood Lighting Bracket

RSR Bracket

PROJECT INFORMATION	
JOB NAME	
FIXTURE TYPE	RSR Bracket
CATALOG NUMBER	500-015BZ
APPROVED BY	

SPECIFICATIONS

Construction:

- Steel

Mounting:

- Pole Top
- Allows Fixtures to be Adjusted Vertically and Horizontally
- Fits 2 3/8" Tenon

Weight:

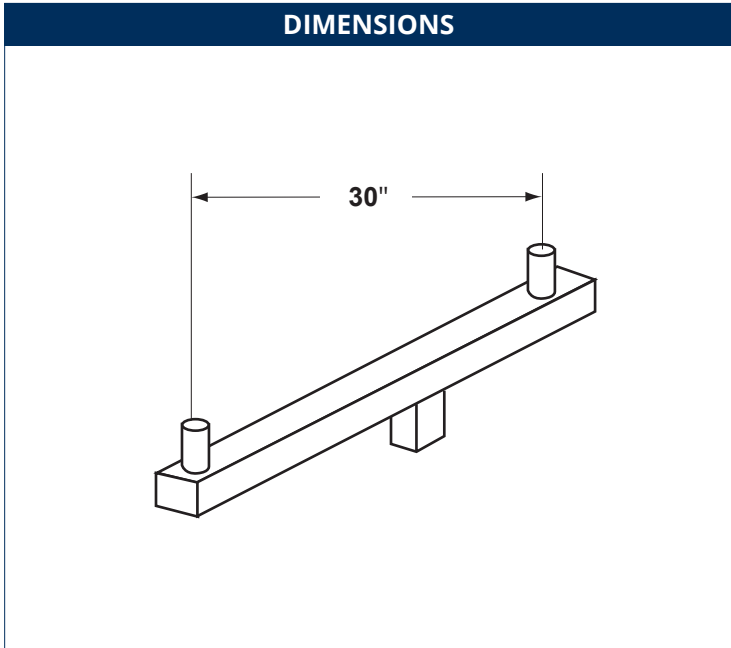
- 16.1 lbs. / 7.3 kg.

Overall Length:

- 30" (76.2 cm)

Warranty:

- Five-year limited warranty



ORDERING INFORMATION

CATALOG #	DESCRIPTION	FINISH	# OF TENONS	TENON SIZE	WT / LBS.
500-015BZ	2 In Line RSR Bracket	Bronze	2 In Line	2 3/8"	16.1

EPA

FIGURE 1	CONFIGURATION	EPA	WEIGHT
	2 @ 180°	1.92	16.1 lbs.