



Flood Lighting Bracket 3 Arm Bullhorn

PROJECT INFORMATION	
JOB NAME	
FIXTURE TYPE	3 Arm Bullhorn
CATALOG NUMBER	500-052BZ
APPROVED BY	

SPECIFICATIONS

Construction:

- Steel

Mounting:

- Pole Top
- Available in 2 in Line, 3 in Line, 3 @ 120° and 4 @ 90° Configurations
- Allows Fixtures to be Adjusted Vertically and Horizontally
- Fits 2 3/8" Tenon

Weight:

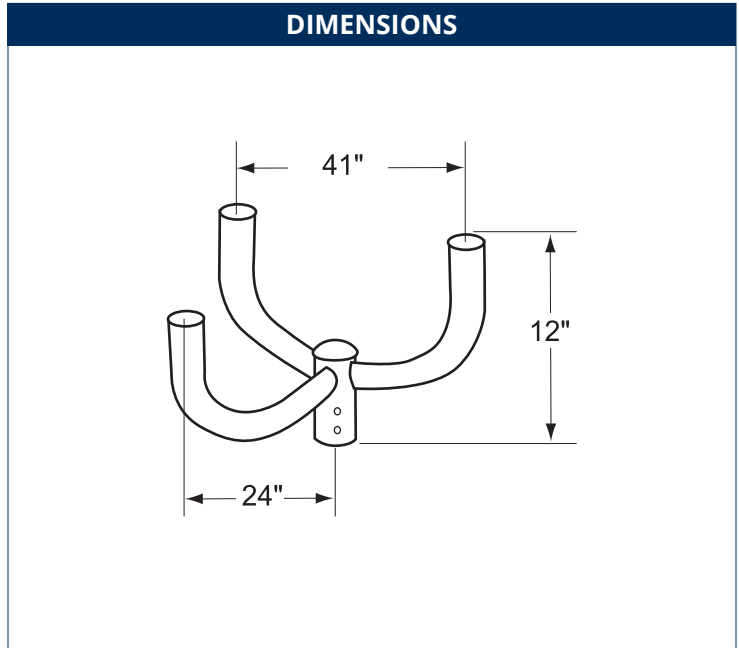
- 33 lbs. / 83.82 kg.

Overall Length:

- 41" (104.14 cm)

Warranty:

- Five-year limited warranty



ORDERING INFORMATION

CATALOG #	DESCRIPTION	FINISH	# OF TENONS	TENON SIZE	WT / LBS.
500-052BZ	3 Arm Bullhorn	Bronze	3 @ 120°	2 3/8"	33

EPA

FIGURE 1	CONFIGURATION	EPA	WEIGHT
	3 @ 120°	2.0	33 lbs.