



Flood Lighting Bracket Side Angle Bracket



PROJECT INFORMATION

JOB NAME	
FIXTURE TYPE	Side Angle Bracket
CATALOG NUMBER	500-060G
APPROVED BY	

SPECIFICATIONS

Construction:

- Steel

Mounting:

- Wall Mount

Overall Height:

- 20" (50.80 cm)

Overall Depth:

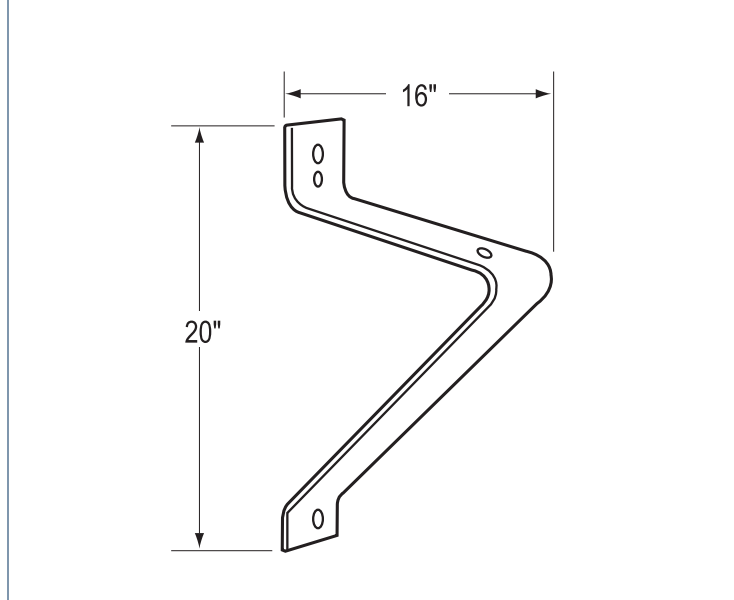
- 16" (40.64 cm)

Warranty:

- Five-year limited warranty



DIMENSIONS



ORDERING INFORMATION

CATALOG #	DESCRIPTION	FINISH	STD PKG
500-060G	Side Angle Bracket	Galvanized	1