



# Flood Lighting Adjustable Post Top Fitter

## PROJECT INFORMATION

JOB NAME	
FIXTURE TYPE	Adjustable Post Top Fitter
CATALOG NUMBER	500-082BZ
APPROVED BY	

## SPECIFICATIONS

### Construction:

- Die Cast

### Mounting:

- Post Top

### Weight:

- 1.2 lbs. / 0.54 kg.

### Overall Height:

- 2.11" (5.36 cm)

### Overall Width:

- 2.92" (7.42 cm)

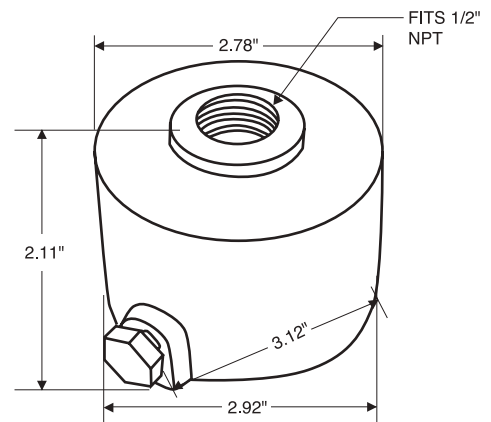


**BUY AMERICAN**



**COMPLIANT\***

## DIMENSIONS



## ORDERING INFORMATION

CATALOG #	DESCRIPTION	FINISH	WT / LBS
500-082BZ	Adjustable Post Top Fitter	Bronze	1.2