



Universal Bracket System

Square or Round Pole
w/ Tenon - 4 @ 90°

PROJECT INFORMATION

JOB NAME	
FIXTURE TYPE	Square or Round Pole w/ Tenon
CATALOG NUMBER	500-RPT90BZ
APPROVED BY	

SPECIFICATIONS

Construction:

- Die Cast Aluminum
- (3) Sides have Removable Hole Plugs Installed
- Pole Cap Included

Mounting:

- Mounting Cleat(s) Included w/ SLP Fixture(s)
- Bracket is Pre-drilled for Mounting up to (4) Fixtures @ 90°
- Fits 2 3/8" Tenon

Weight:

- 3.38 lbs. / 1.53 kg.

Overall Height:

- 10.25" (26.035 cm)

Overall Diameter::

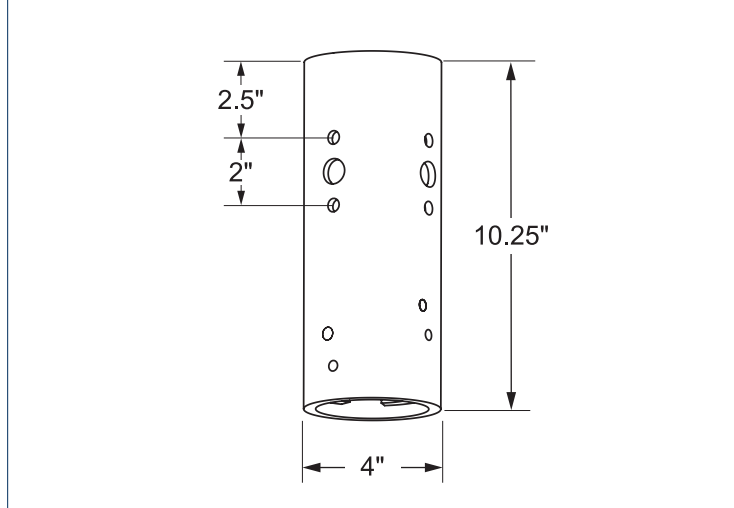
- 4" (10.16 cm)

Warranty:

- Five-year limited warranty



DIMENSIONS



ORDERING INFORMATION

CATALOG #	DESCRIPTION	FINISH
500-RPT90BZ	For Tenon Up to 4 @ 90	Bronze

FIXTURE CONFIGURATIONS

