



Universal Bracket System Wall Bracket



PROJECT INFORMATION

JOB NAME	
FIXTURE TYPE	Wall Bracket
CATALOG NUMBER	500-WBBZ
APPROVED BY	

SPECIFICATIONS

Construction:

- Steel

Mounting:

- Mounting Cleat(s) Included w/ SLP Fixture(s)

Weight:

- 3.06 lbs. / 1.39 kg.

Overall Height:

- 6.54" (16.6116 cm)

Overall Width:

- 6.68" (16.9672 cm)

Overall Depth:

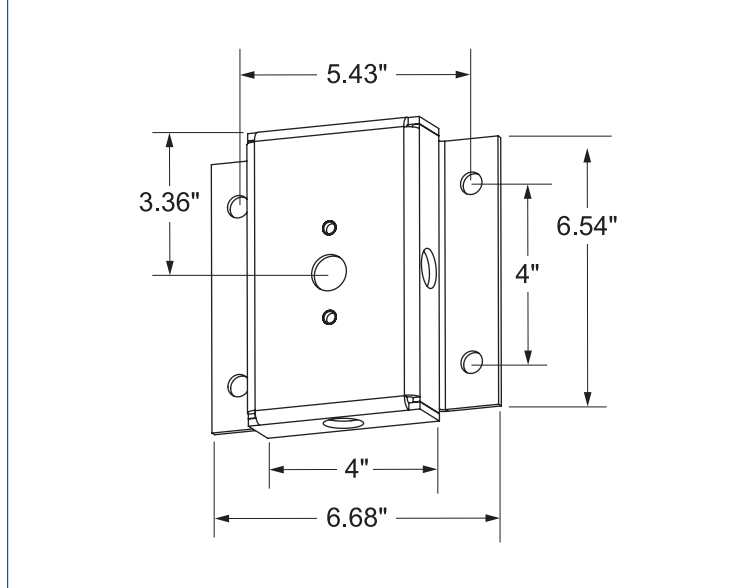
- 1.375" (3.4925 cm)

Warranty:

- Five-year limited warranty



DIMENSIONS



ORDERING INFORMATION

CATALOG #	DESCRIPTION	FINISH
500-WBBZ	Wall Mount Bracket	Bronze